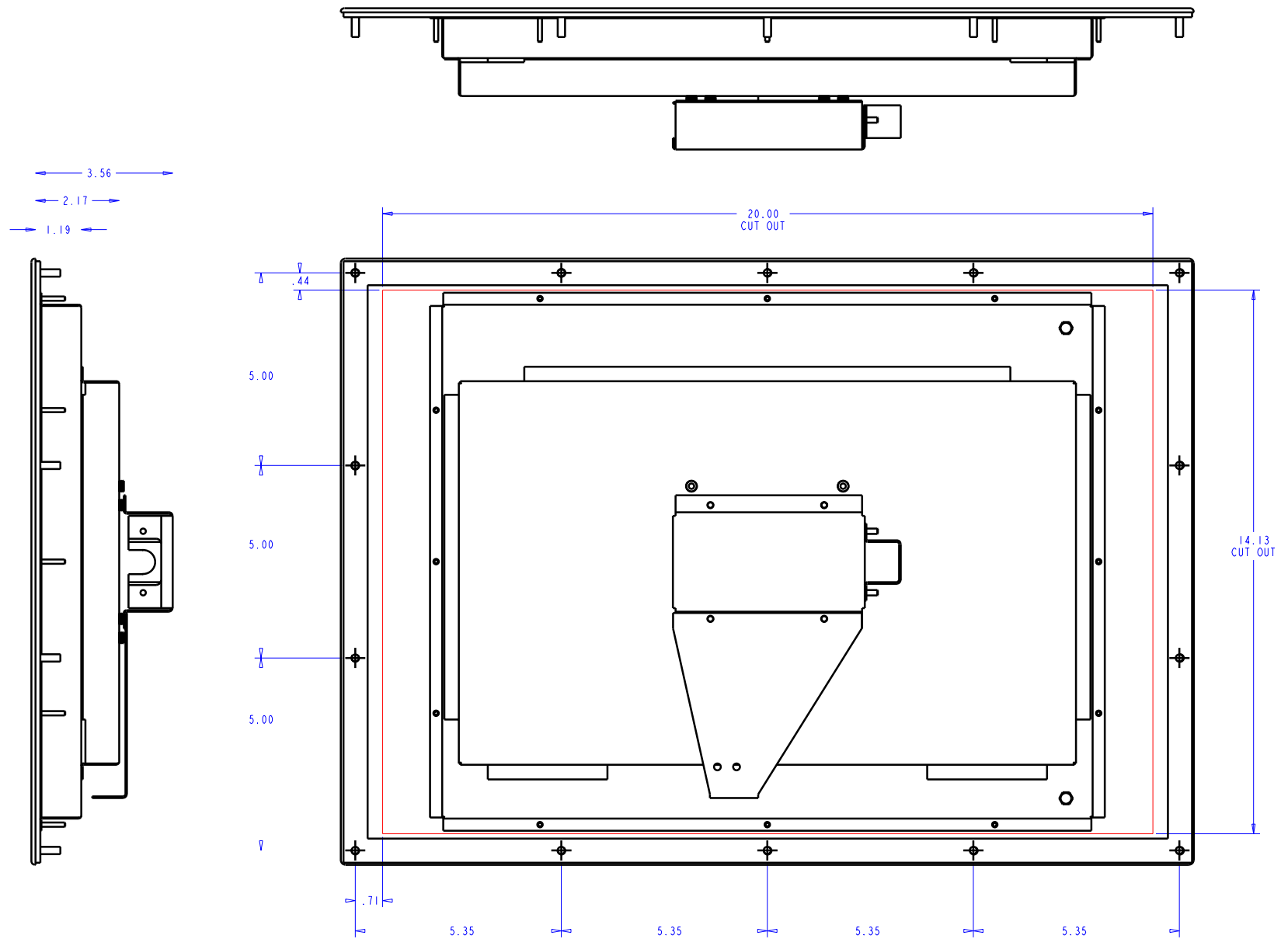


# VAMP-WN17M-R-TPM7



Measurements shown in mm. All Dimensions are  $\pm 0.5$  mm.

NOTE: This is a simplified drawing and some components are not marked in detail. Please contact your Applications Engineer for additional product information.