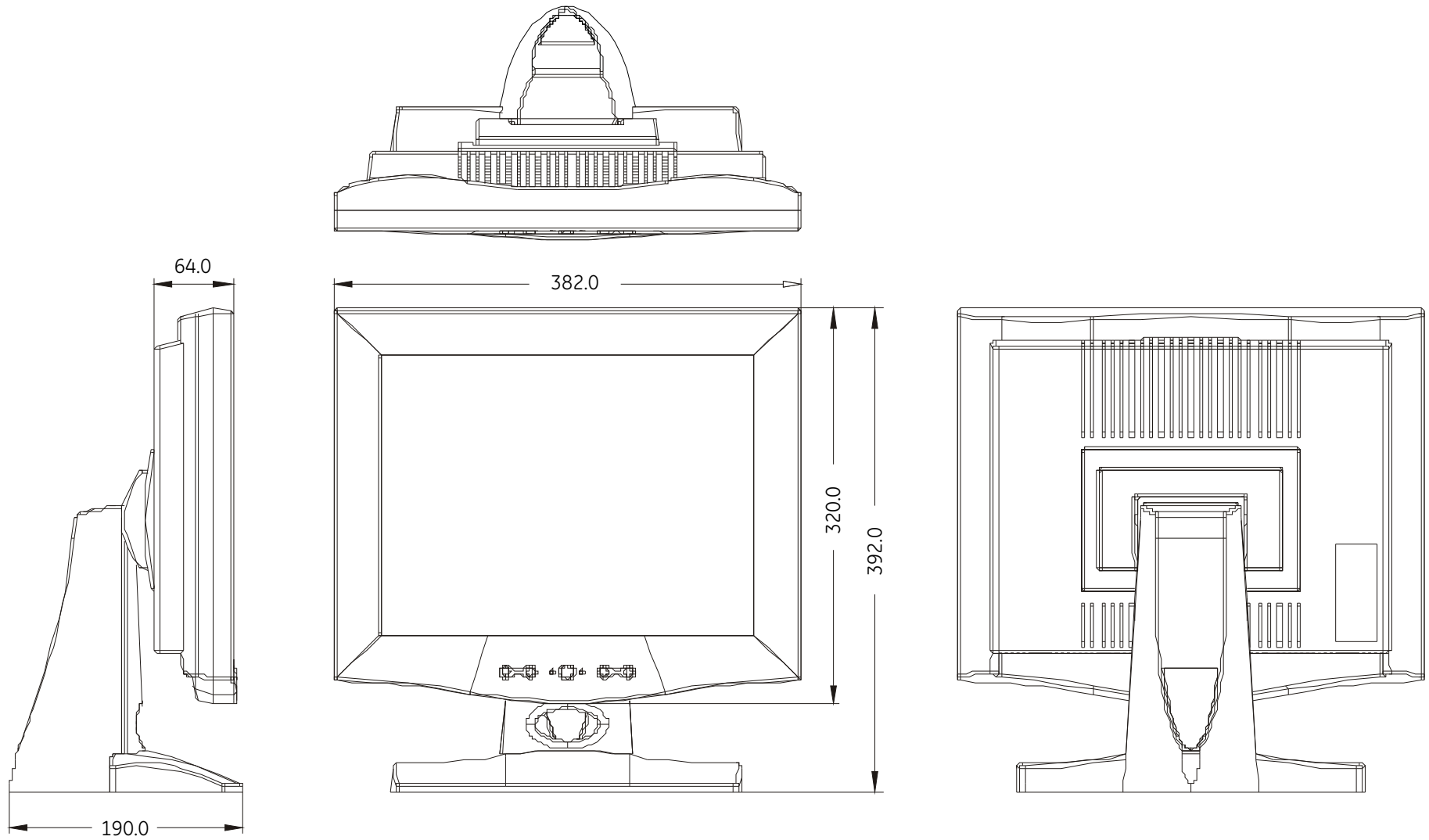


# VAMP-SlimVista-15



Measurements shown in mm  
All Dimensions are  $\pm 0.5$  mm

NOTE: This is a simplified drawing and some components are not marked in detail. Please contact your Applications Engineer for additional product information.

**Computer  
DYNAMICS**

A GE Intelligent Platforms Company

©2010 Computer Dynamics, Inc. Computer Dynamics, Inc. is a wholly-owned subsidiary of GE Intelligent Platforms. All rights reserved. Specifications are subject to change without notice.