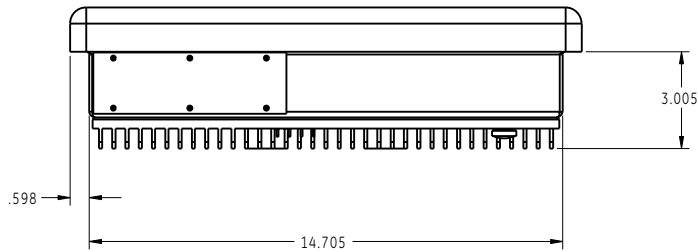
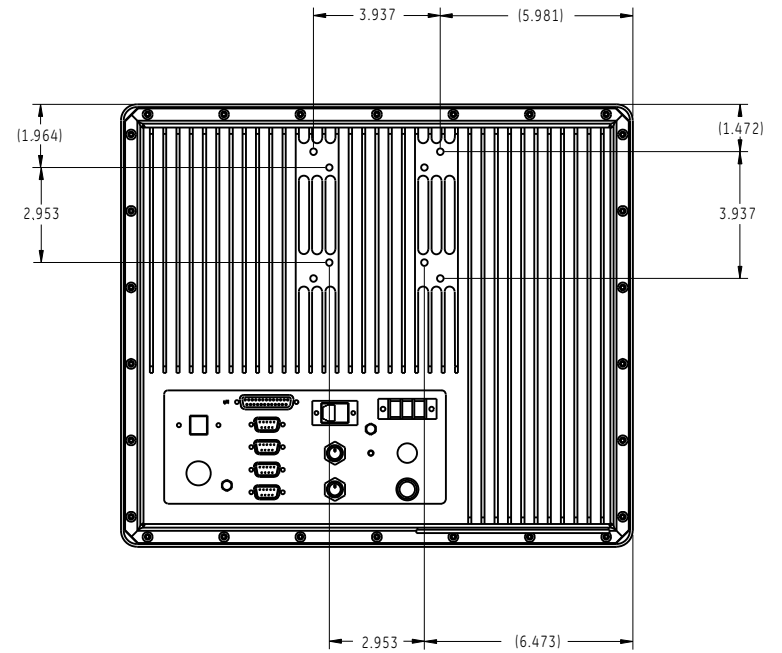
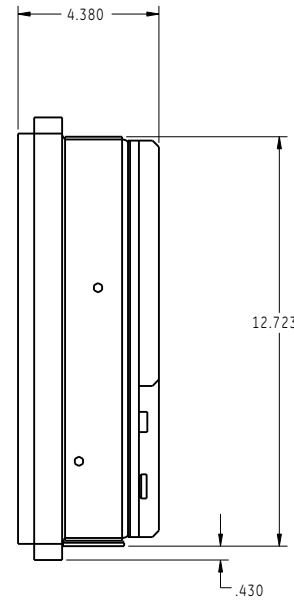
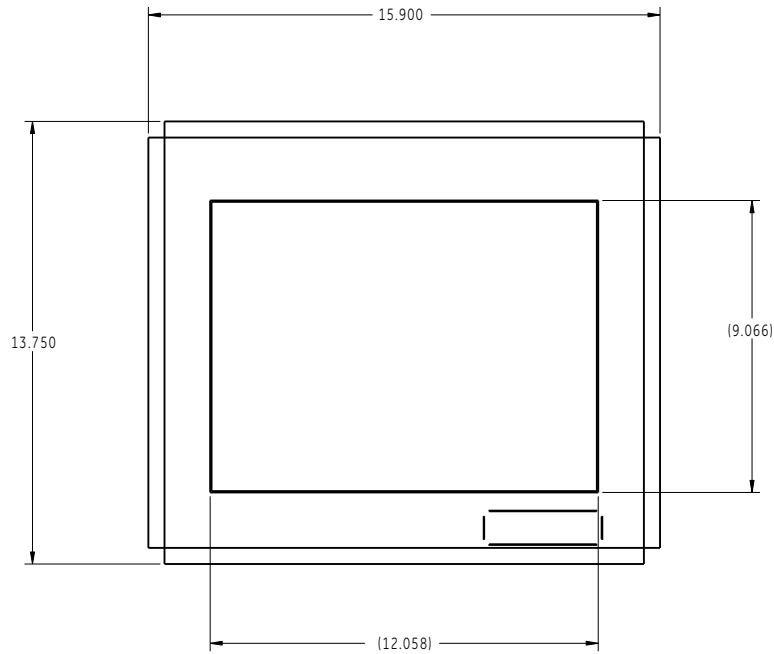


SealTouch-15



Unless otherwise noted, measurements shown in inches.

NOTE: This is a simplified drawing and some components are not marked in detail. Please contact your Applications Engineer for additional product information.