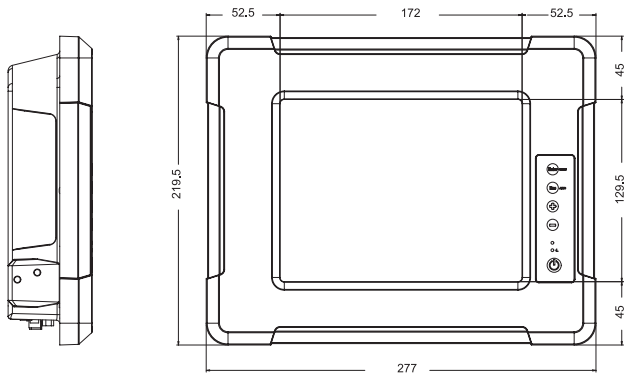
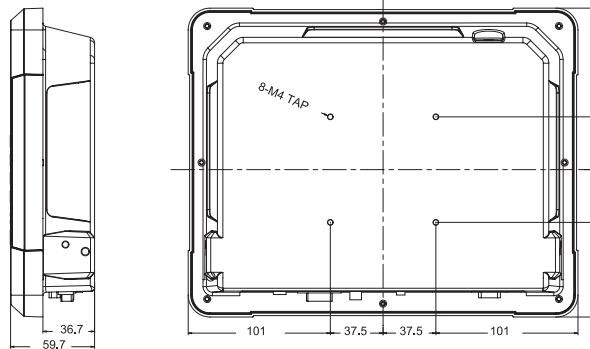


VAMP-RPP8



SIDE VIEW

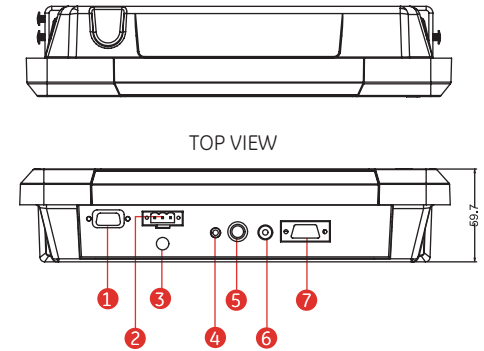
FRONT VIEW



SIDE VIEW

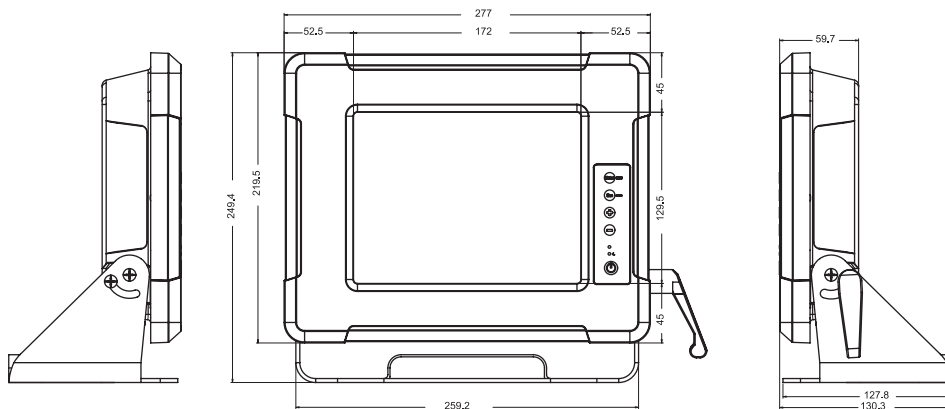
REAR VIEW

Vehicle Mount



1. RS232 for Touch (Optional for touch)
2. 8-36V DC Terminal Block (Optional)
3. DC Locklabel Input (Default)
4. Line out (Optional)
5. S-Video (Optional)
6. Composite (Optional)
7. VGA

With Mounting Bracket

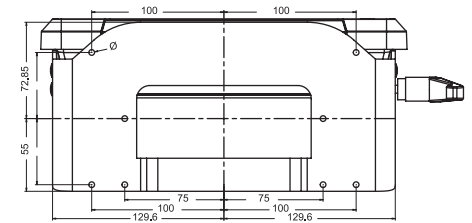


SIDE VIEW

FRONT VIEW

SIDE VIEW

REAR VIEW



**Computer
DYNAMICS**

A GE Intelligent Platforms Company

Measurements shown in mm
All Dimensions are ± 0.5 mm

NOTE: This is a simplified drawing and some components are not marked in detail. Please contact your Applications Engineer for additional product information.

©2010 Computer Dynamics, Inc. Computer Dynamics, Inc. is a wholly-owned subsidiary of GE Intelligent Platforms. All rights reserved. Specifications are subject to change without notice.