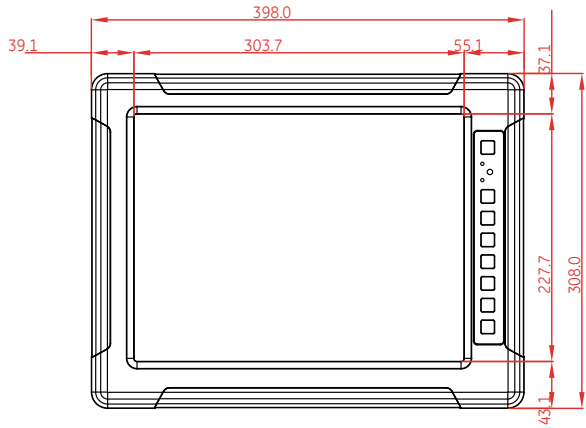
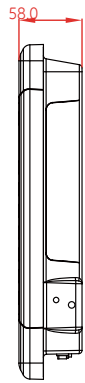


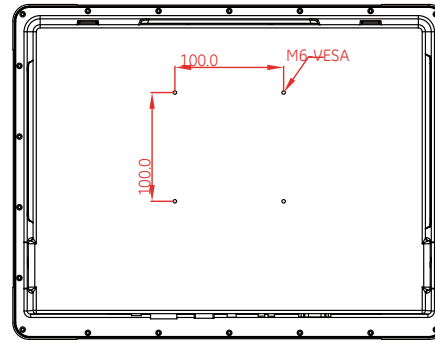
# VAMP-RPP15



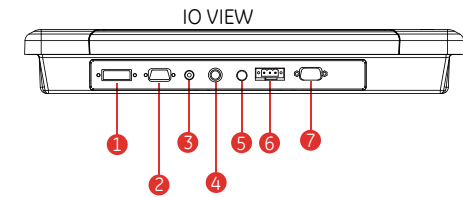
FRONT VIEW



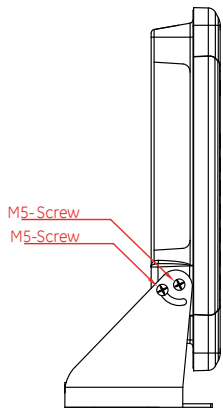
SIDE VIEW



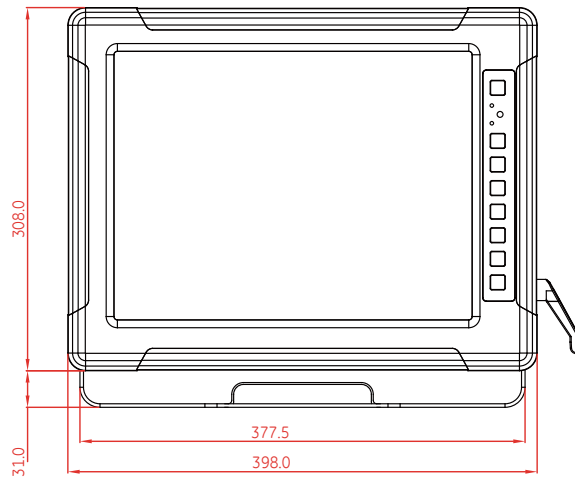
VIEW



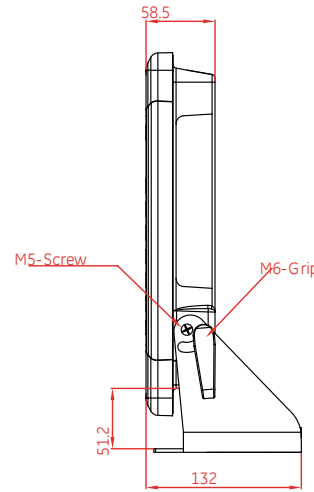
1. DVI (Optional)
2. 8-36V DC Terminal Block (Optional)
3. Composite (Optional)
4. S-Video (Optional)
5. DC Lockable Input (Optional)
6. 9-36V DC Terminal Block (Default)
7. RS-232 for Touch (Optional)



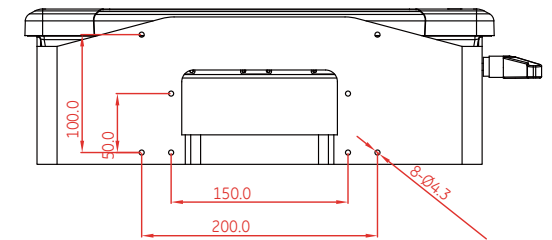
SIDE VIEW with Mounting Brackets



FRONT VIEW with Mounting Brackets



SIDE VIEW with Mounting Brackets



REAR VIEW

Measurements shown in mm  
All Dimensions are  $\pm 0.5$  mm

NOTE: This is a simplified drawing and some components are not marked in detail. Please contact your Applications Engineer for additional product information.