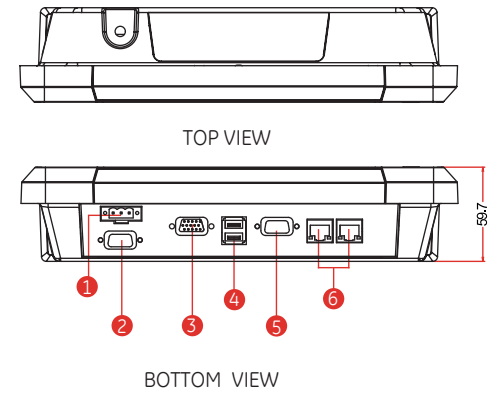
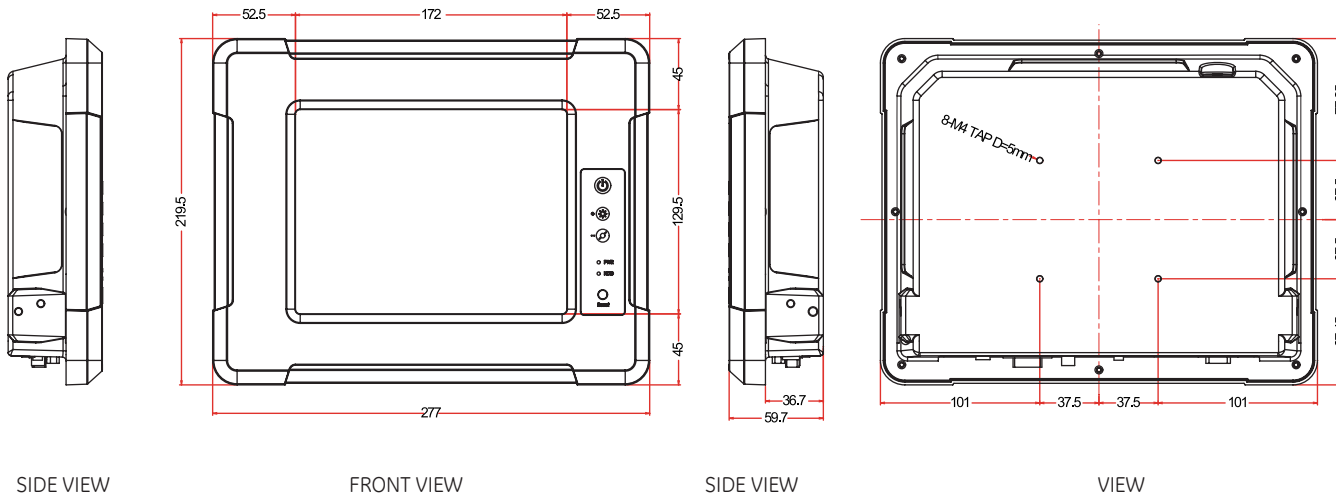
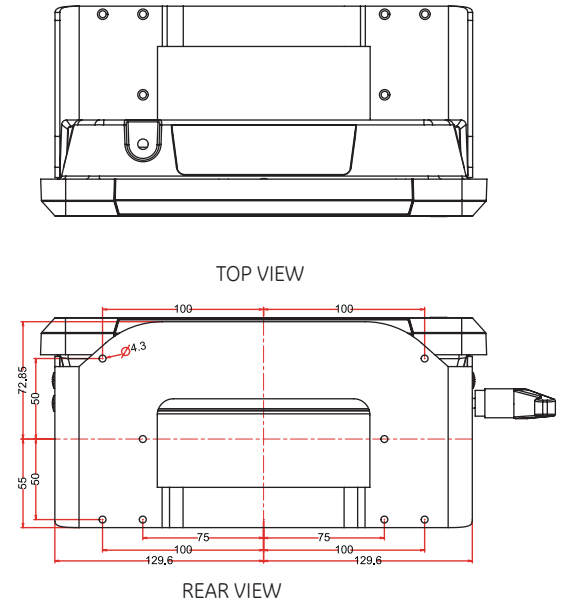
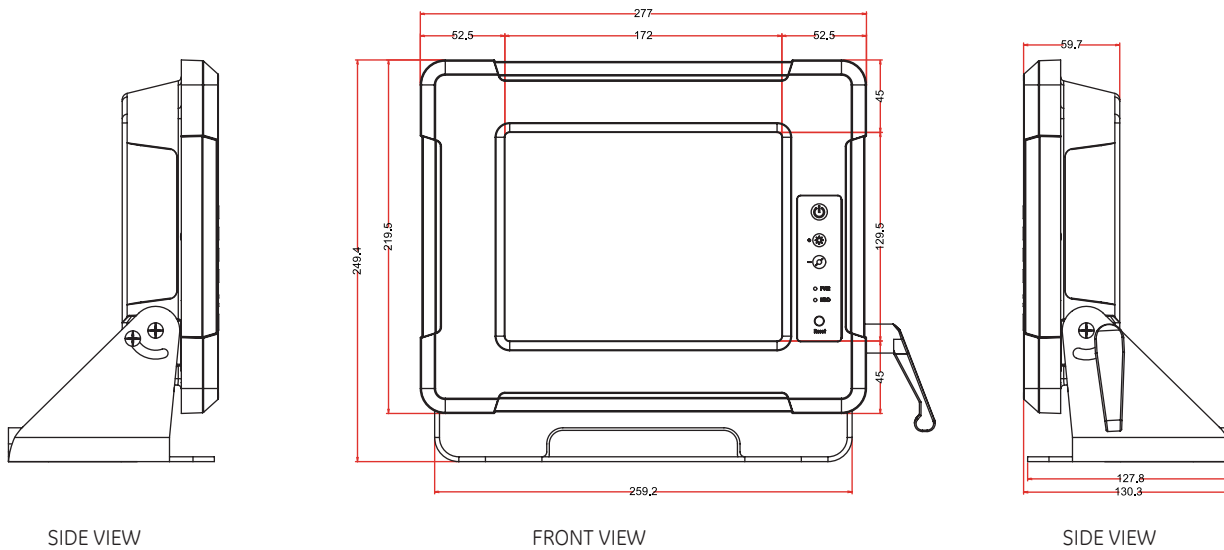


DisplayPac-RPP8



- 1. DC Terminal Block (Default)
- 2. COM 4
- 3. VGA
- 4. USB
- 5. COM 1
- 6. LAN

Drawing w / Mounting Bracket



Measurements shown in mm. All Dimensions are ± 0.5 mm

NOTE: This is a simplified drawing and some components are not marked in detail. Please contact your Applications Engineer for additional product information.