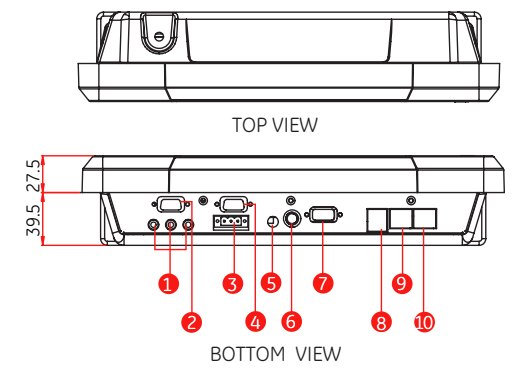
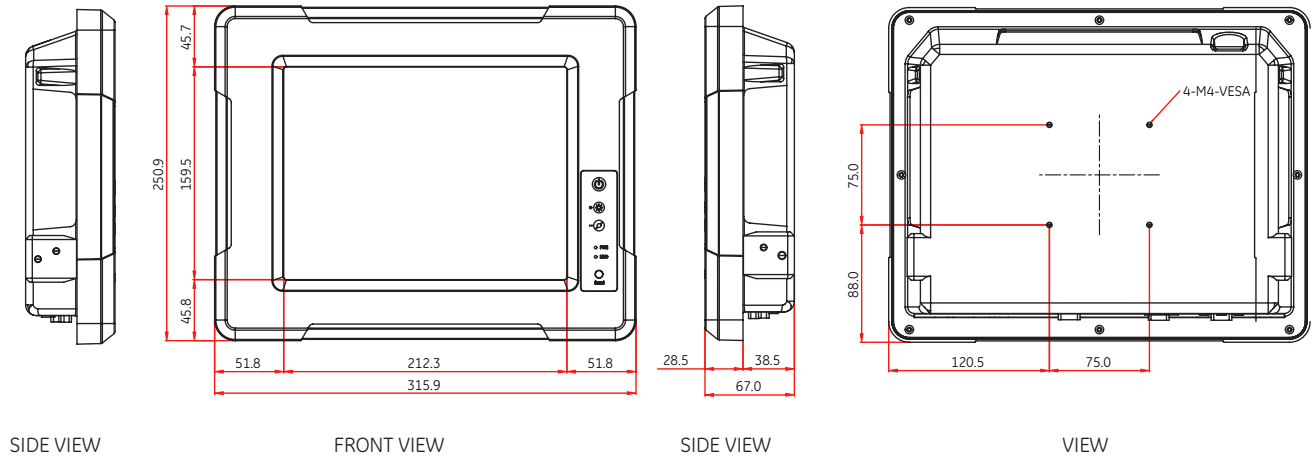
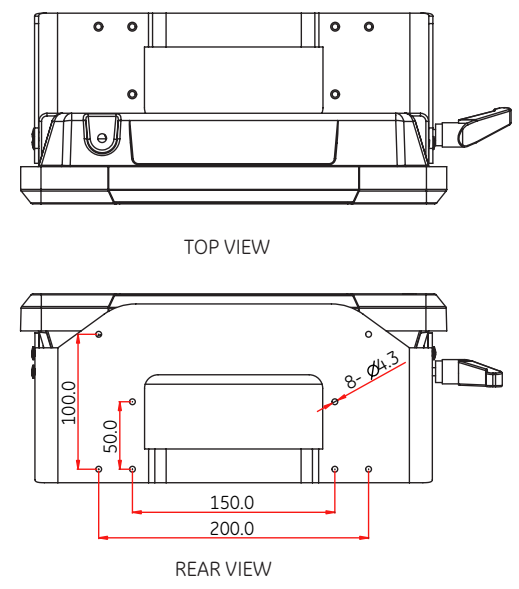
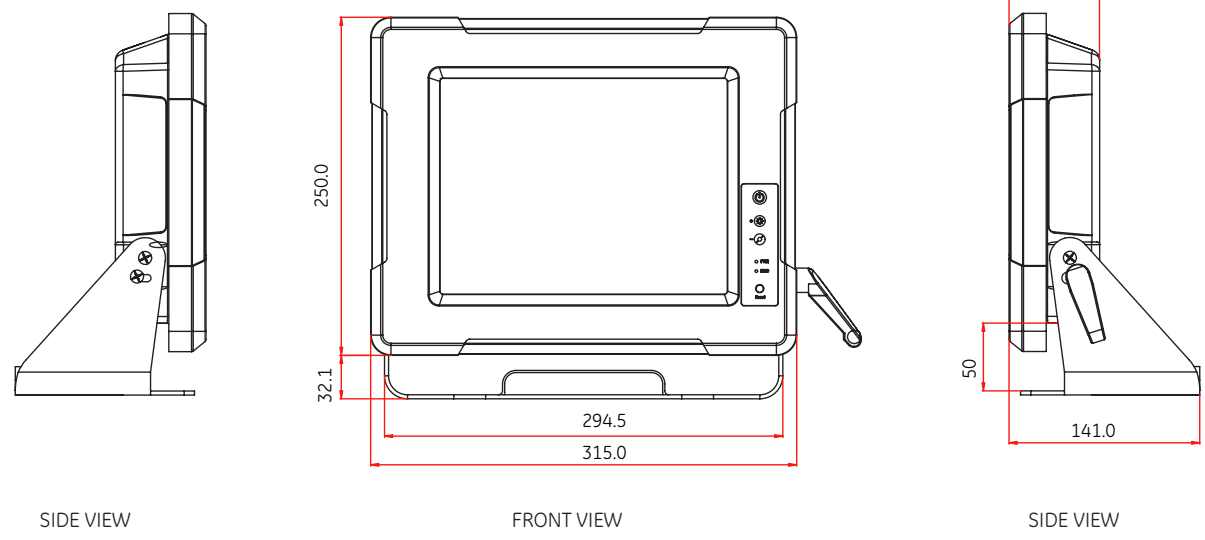


DisplayPac-RPP10



- 1. Line in, Line out , Micro in
- 2. COM2 (optional)
- 3. DC Terminal Block (optional)
- 4. COM1
- 5. DC Lockable Input (Default)
- 6. PS/2
- 7. VGA
- 8. USB 1.2
- 9. LAN1
- 10. LAN2

Drawing w / Mounting Bracket



Measurements shown in mm. All Dimensions are ±0.5 mm

NOTE: This is a simplified drawing and some components are not marked in detail. Please contact your Applications Engineer for additional product information.