

# SealTouch<sup>®</sup> Monitor

## 12.1" Flat Panel Monitor Rated NEMA 4/12

For applications requiring a flat panel monitor interfacing to a standard analog video signal, the ST-M241 offers an off-the-shelf solution. Housed in our SealTouch NEMA 4/12 enclosure, the system is tough enough for any industrial environment. For outdoor applications the 900-nit display option allows viewability even in direct sunlight.

The ST-M241's interface is compatible with most video sources and automatically resizes lower resolutions to fill the 800x600 12.1" screen. An AC switching power supply is built into the unit. Touchscreen data is sent to the host computer via a standard COM port, and supports mouse emulation when used with software available from Computer Dynamics.

# SealTouch® Monitor

## System Specifications

- Display 12.1" 800x600, 256k color AMTFT LCD (SH39)
- Standard input Standard analog RGB
- Linear expansion Seamless expansion to fill entire screen for:  
NTSC/S-Video/PAL  
640x350  
640x400  
640x480
- Shrink scaling Allows higher resolution graphics to be displayed on a panel with lesser resolution. Ex: 1280x1024 graphics displays properly on a 1024x768 resolution panel.
- Weight 26 lbs. (11.8kg)
- Power supply 50W switching supply standard
- Certifications NEMA 4/12 (IP65)
- Dimensions 12.7" x 13.4" x 5.0"  
(HxWxD) 323 mm x 340 mm x 127 mm

## Touchscreen Specifications

- Type Infrared
- Resolution 1/8 of an inch interpolated
- MTBF (Sensor) Controller > 80,000 hours
- O/S driver Windows 95/98, 2000 and NT
- Stylus All types
- Transmissivity 95%

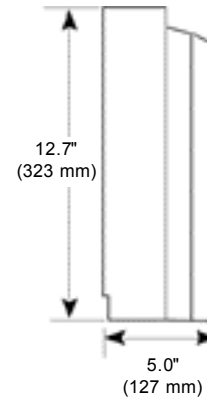
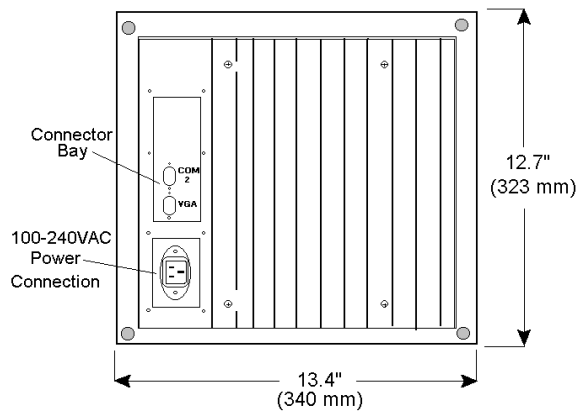
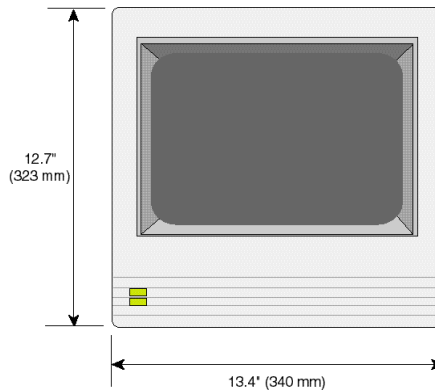
## Ordering Information

- Ultra-HiBrite 900-nit or greater display (H939)
- Input signal NTSC/S-Video/PAL (NTSC)  
Synch-on-Green (SOG)  
Composite Synch (COMP)

## Ordering Information

- Part Number ST-M241-<Display>-Options

## Mechanical Drawings



## Computer Dynamics Information Centers

Americas:  
1 864 627 8800

Asia Pacific:  
86 10 6561 1561

Europe, Middle East and Africa:  
33 1 4324 6007

## Additional Resources

For more information, please visit the  
Computer Dynamics web site at:

[www.codynamics.com](http://www.codynamics.com)

**Computer  
DYNAMICS**

A GE Fanuc Company