



SealTouch[®] Monitor

10.4" Flat Panel Monitor Rated NEMA 4/12

The ST-M231 offers a cost-effective flat panel monitor solution. Its 10.4" VGA display is mated with a responsive infrared touchscreen and housed in our rugged SealTouch enclosure. The system is NEMA 4/12-rated and can be ordered with our 900-nit Ultra-HiBrite option for high-ambient light or outdoor applications.

An AC power supply is standard. Touchscreen data is sent via RS-232 and is easily used with our mouse emulation software.

SealTouch® Monitor

System Specifications

- Display 10.4" 640x480, 256k color AMTFT LCD (SH27)
- Standard input Standard analog RGB
- Linear expansion Seamless expansion to fill entire screen for:
NTSC/S-Video/PAL
640x350
640x400
640x480
- Shrink scaling Allows higher resolution graphics to be displayed on a panel with lesser resolution. Ex: 1280x1024 graphics displays properly on a 1024x768 resolution panel.
- Weight 26 lbs. (11.8kg)
- Power supply 50W switching supply standard
- Certifications NEMA 4/12 (IP65)
- Dimensions 12.7" x 13.4" x 5.0"
(HxWxD) 323 mm x 340 mm x 127 mm

Touchscreen Specifications

- Type Infrared
- Resolution 1/8 of an inch interpolated
- MTBF (Sensor) Controller > 80,000 hours
- O/S driver Windows 95/98, 2000 and NT
- Stylus All types
- Transmissivity 95%

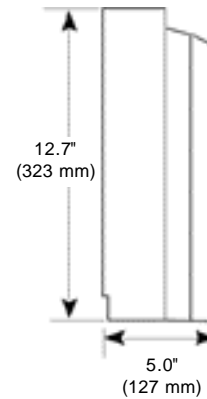
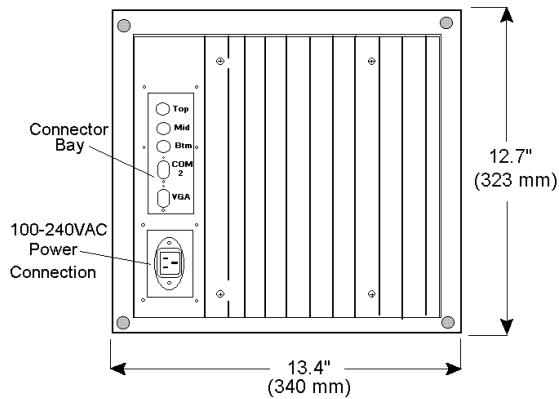
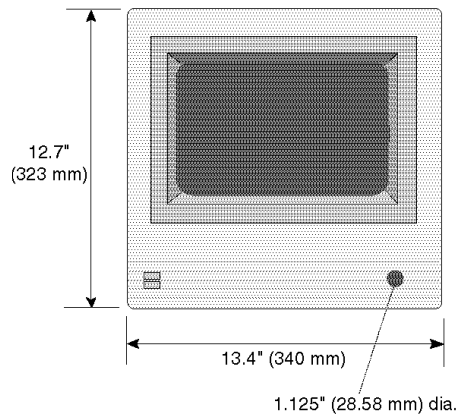
Ordering Information

- Ultra-HiBrite 900-nit or greater display (H927)
- Input signal NTSC/S-Video/PAL (NTSC)
Synch-on-Green (SOG)
Composite Synch (COMP)

Ordering Information

- Part Number ST-M231-<Display>-Options

Mechanical Drawings



Computer Dynamics Information Centers

Americas:
1 864 627 8800

Asia Pacific:
86 10 6561 1561

Europe, Middle East and Africa:
33 1 4324 6007

Additional Resources

For more information, please visit the
Computer Dynamics web site at:

www.codynamics.com

**Computer
DYNAMICS**

A GE Fanuc Company