

SealTouch[®] Computer

10.4" Flat Panel Computer Rated NEMA 4/12

The ST-C231 is a complete NEMA 4/12-rated flat panel computer intended for industrial environments. A sturdy cast aluminum enclosure houses the single board computer, 10.4" active matrix TFT LCD, infrared touchscreen, 2.5" hard drive, and power supply. The standard system includes 32 MB of DRAM, and is available with an expansion chassis that permits two PCI/ISA slots. For outdoor or high ambient light applications the system is available with our Ultra-HiBrite display option, which offers sunlight readability. NOTE: UltraHiBrite option adds 2" to the depth of the product.

SealTouch® Computer

Display Specification

- Display 10.4" 640x480, 256k color AMTFT LCD (SH27)

Touchscreen Specification

- Type Infrared

Computer Specifications

- CPU Up to 1 GHz Pentium III processor
- Memory Includes one 72-pin SIMM socket supporting up to 128 MB DRAM; L2 cache 256K pipeline burst mode
- Video C&T 65555
- Ethernet 10/100BaseT
- Hard drive 2.5" internal hard drive
- Floppy Interface (37-pin D-sub) for external 3.5" floppy
- COM port Supports up to 115 Kbaud data rates
- Software Windows 9x, 2000, NT

- Weight 22 lbs. (10 kg)
- Operating temp. 0 to +50°C
- Power supply AC switching supply
- Certifications NEMA 4/12 (IP65); CID2 Groups A, B, C, D; FCC Class A
- Dimensions (HxWxD) 12.7" x 13.4" x 5.0"
323 mm x 340 mm x 127 mm

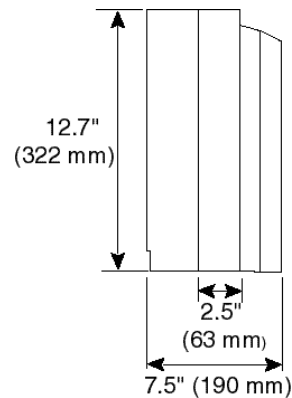
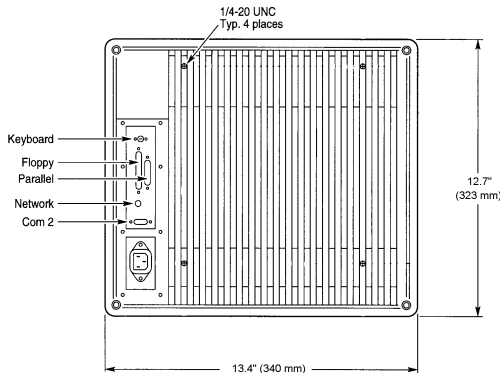
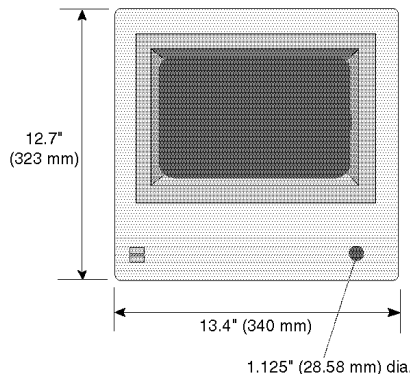
Options

- DRAM 32 MB, 64 MB, 128 MB
- Ultra-HiBrite 900-nit or greater display (H927)
- Expansion Two PCI/ISA slots (EXP)

Ordering Information

- Part Number ST-C231-<CPU-speed>-<DRAM>-<Display>-Options

Mechanical Drawings



Computer Dynamics Information Centers

Americas:
1 864 627 8800

Asia Pacific:
86 10 6561 1561

Europe, Middle East and Africa:
33 1 4324 6007

Additional Resources

For more information, please visit the
Computer Dynamics web site at:

www.codynamics.com

**Computer
DYNAMICS**

A GE Fanuc Company