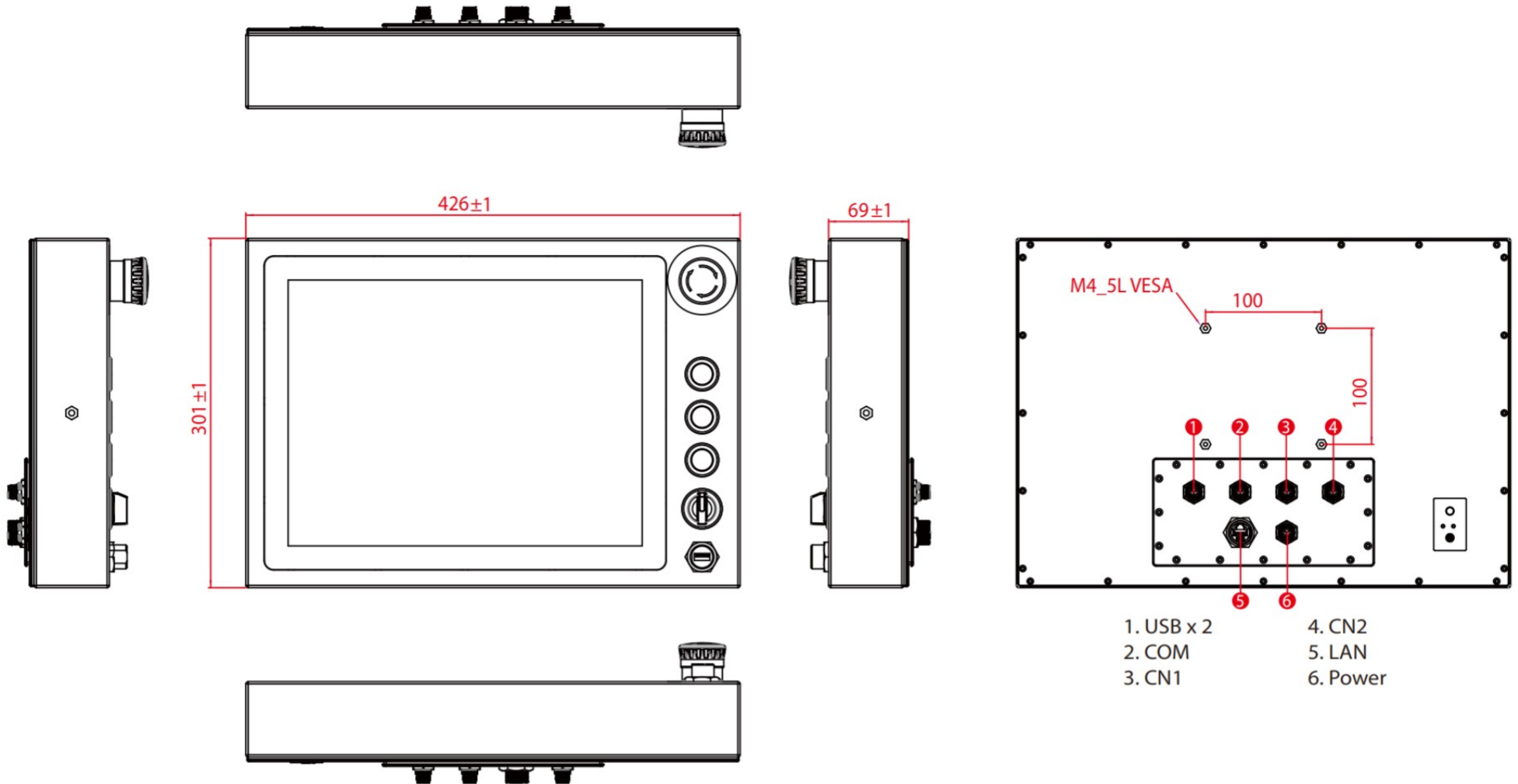


PAC-N2930-PB-15



NOTE: This is a simplified drawing and some components are not marked in detail. Please contact your Applications Engineer for additional product information.