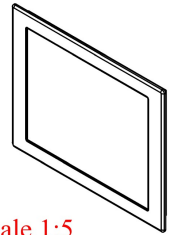
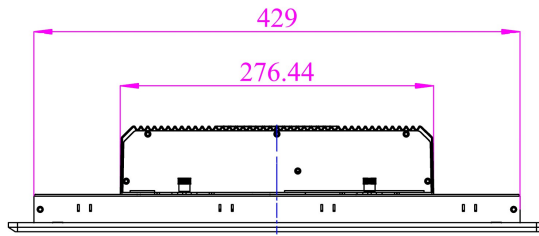
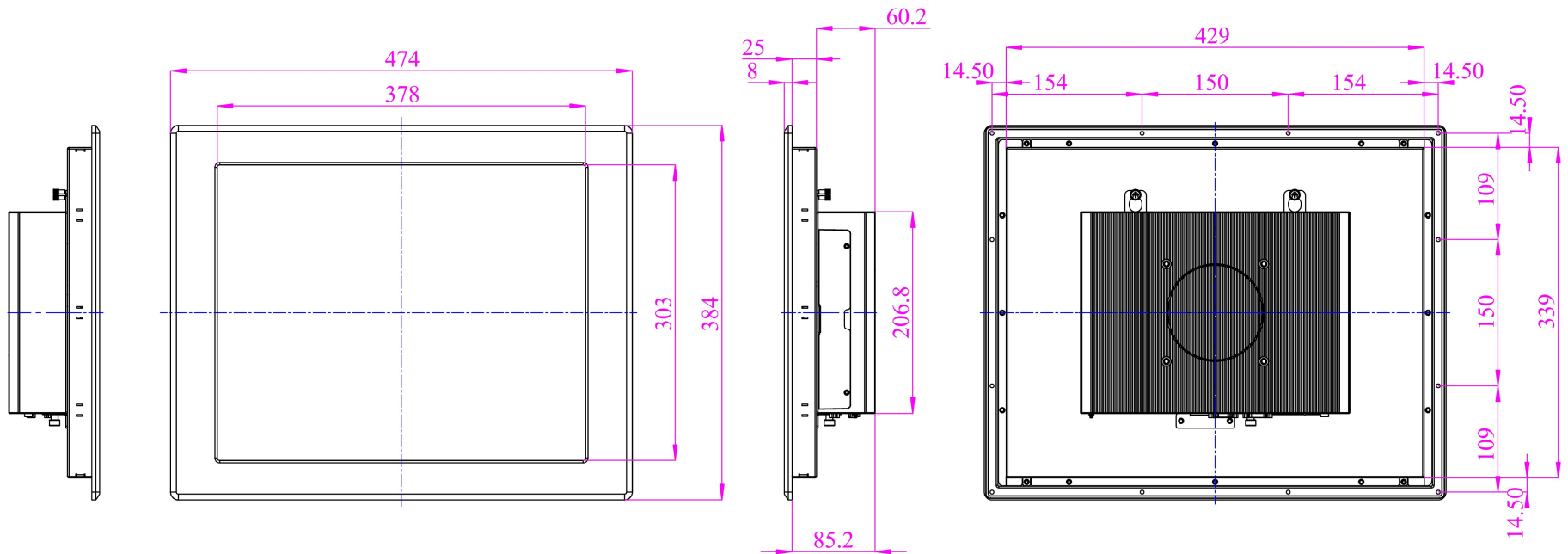


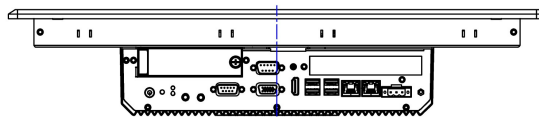
DisplayPAC-MOD-i5-19



Scale 1:5



CUTOUT DIMENSION 431X341mm



**Computer
DYNAMICS**

NOTE: This is a simplified drawing and some components are not marked in detail. Please contact your Applications Engineer for additional product information.

Measurements shown in mm
All Dimensions are ± 0.5 mm