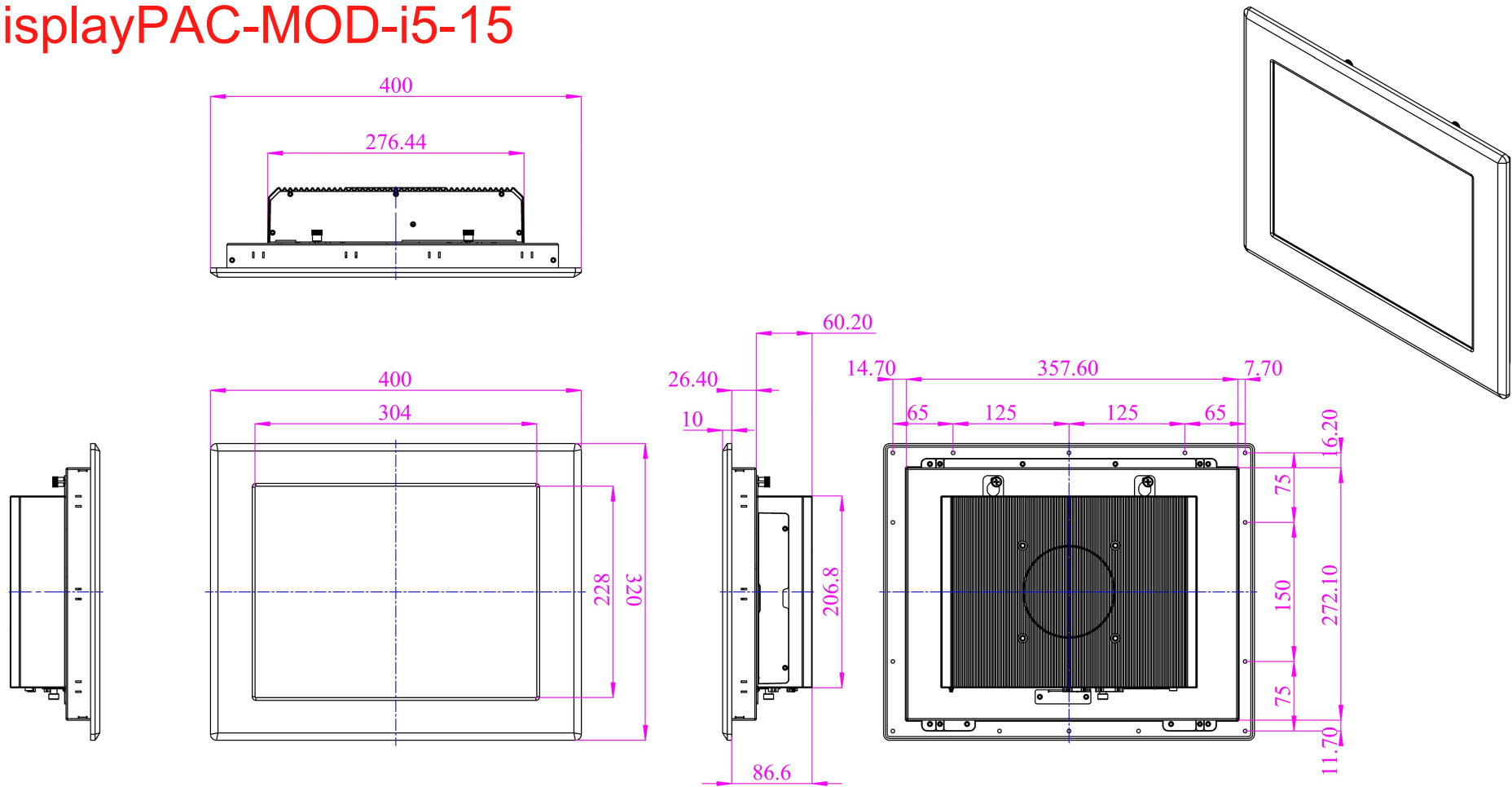
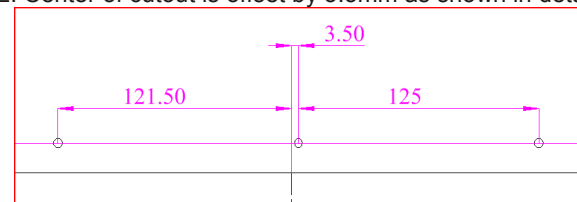


# DisplayPAC-MOD-i5-15



CUTOUT DIMENSION 360X274mm  
 NOTE: Center of cutout is offset by 3.5mm as shown in detail below



Measurements shown in mm  
 All Dimensions are  $\pm 0.5$  mm