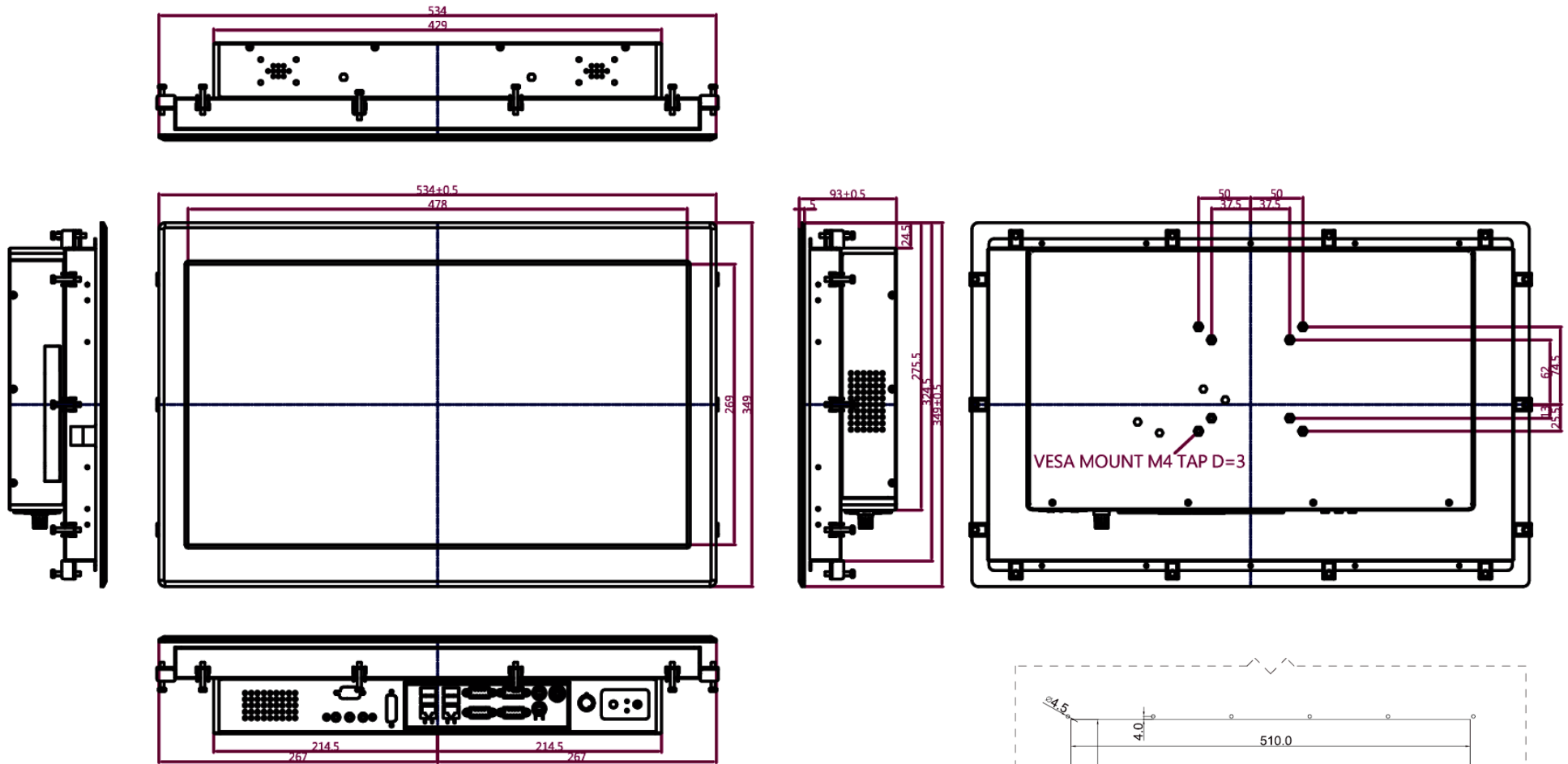
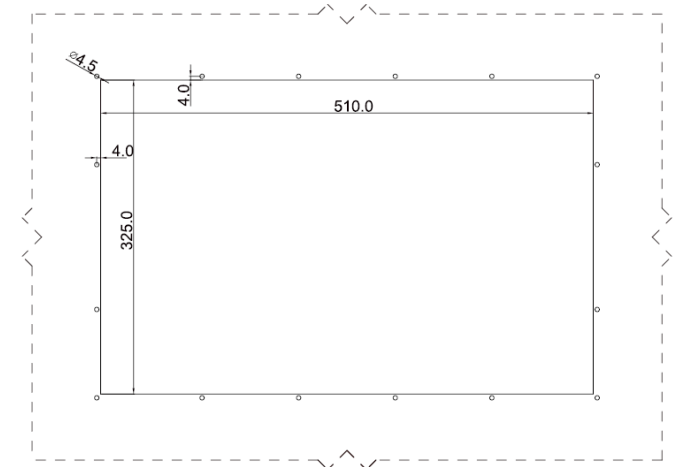


DisplayPac-WN22-N2930-WPM



Measurements shown in mm
All Dimensions are ±0.5 mm



**Computer
DYNAMICS**

NOTE: This is a simplified drawing and some components are not marked in detail. Please contact your Applications Engineer for additional product information.