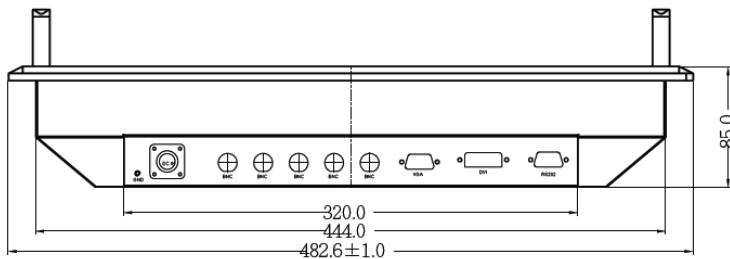
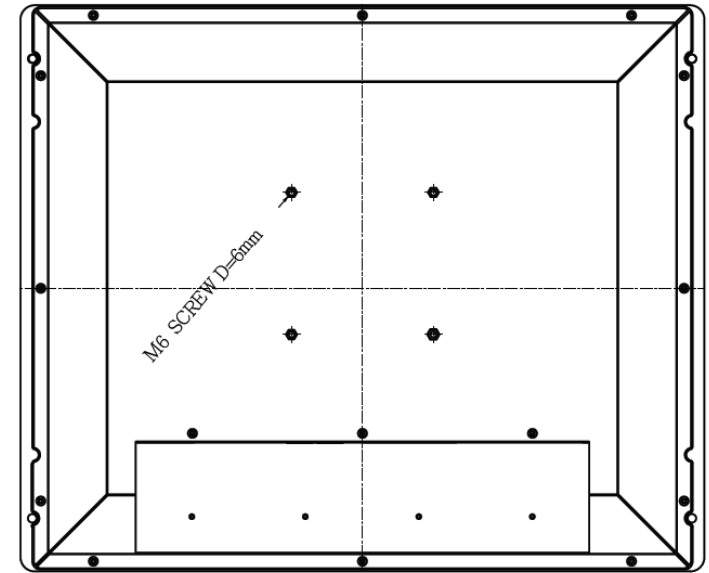
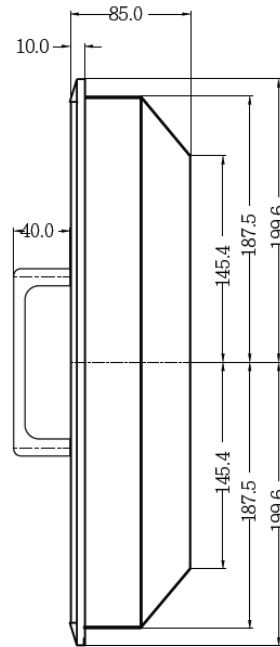
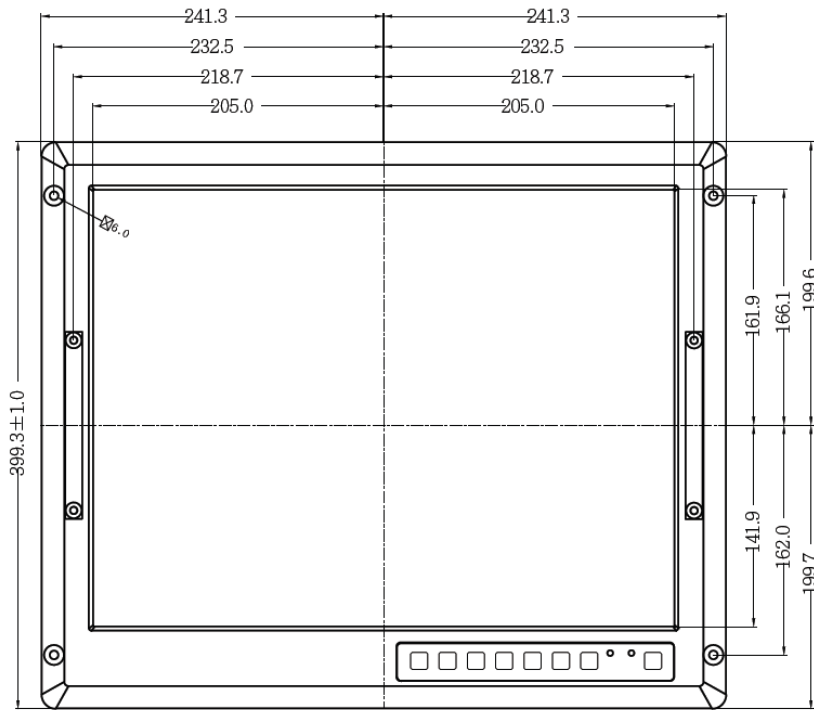


# VAMP-MM-20 Mechanical Drawing



Measurements shown in mm  
All Dimensions are ±0.5 mm