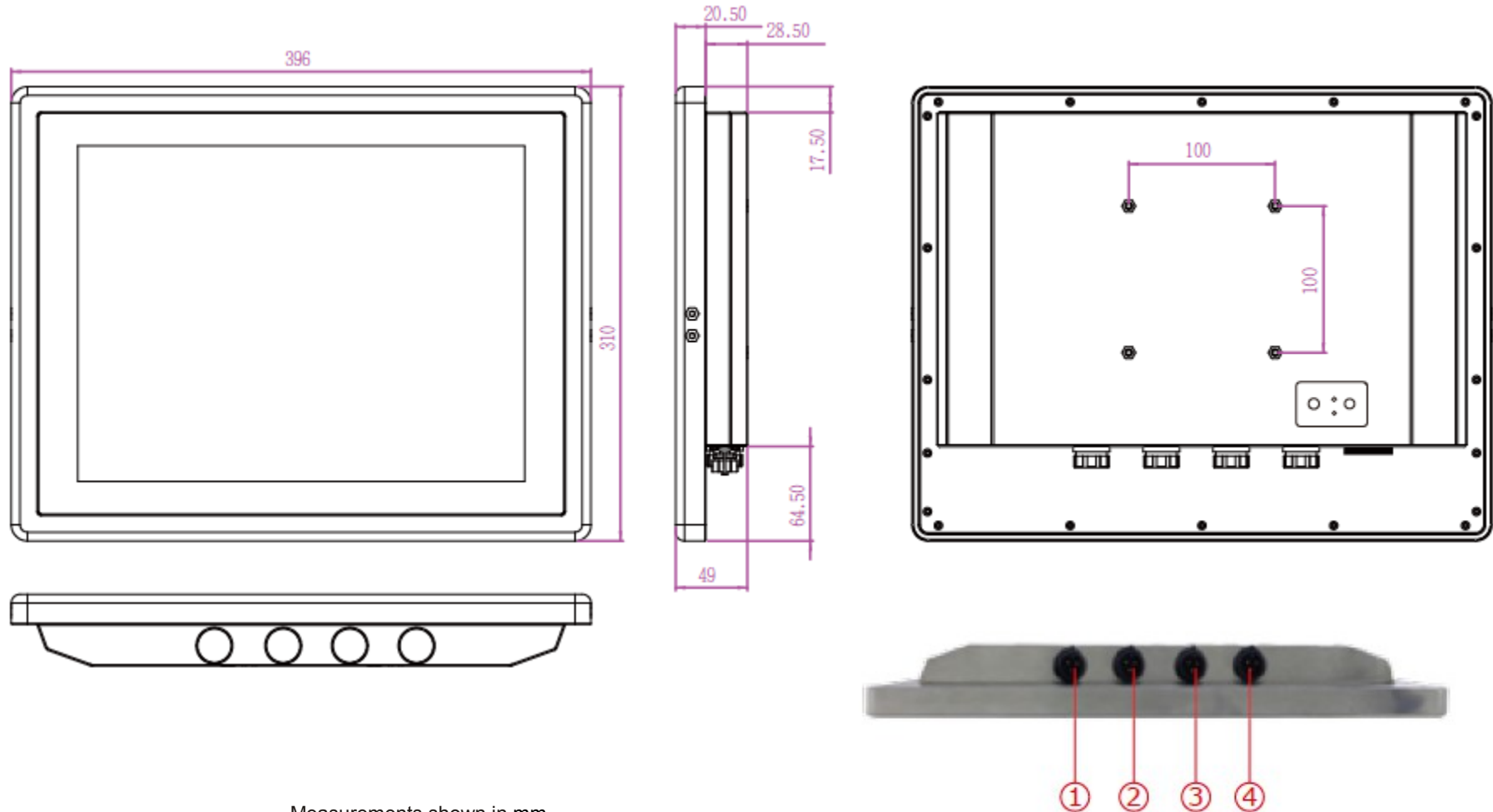


# DisplayPac-N2600-PCAP15



Measurements shown in mm  
All Dimensions are  $\pm 0.5$  mm

1. Power (12V DC in)
2. RS232
3. LAN
4. 2 X USB

**Computer  
DYNAMICS**

NOTE: This is a simplified drawing and some components are not marked in detail. Please contact your Applications Engineer for additional product information.

©2013 Computer Dynamics, Inc. Computer Dynamics, Inc. is a division of CIMTEC Automation. All rights reserved. Specifications are subject to change without notice.