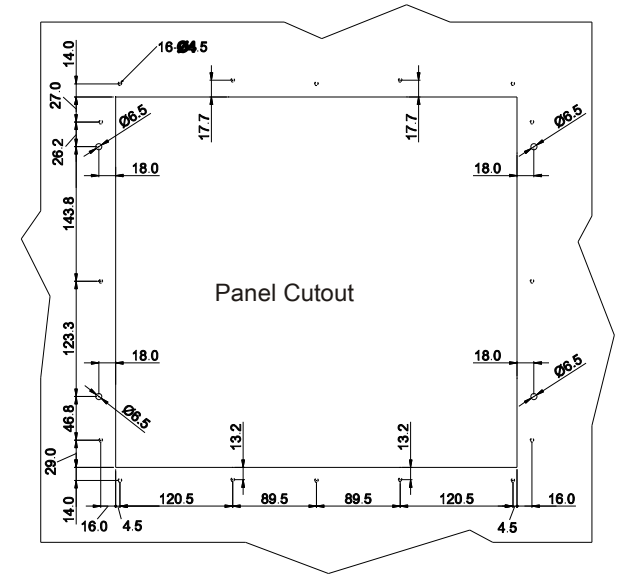
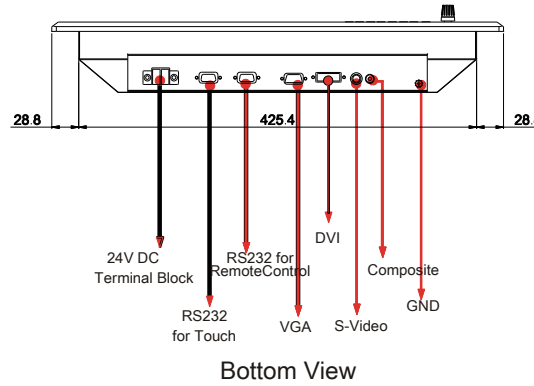
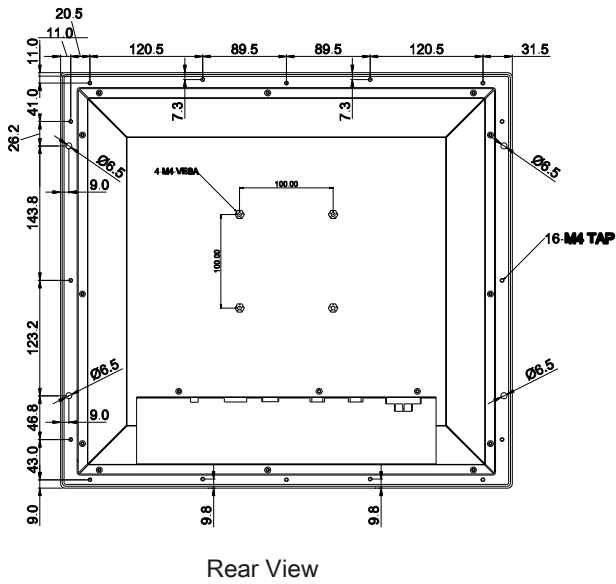
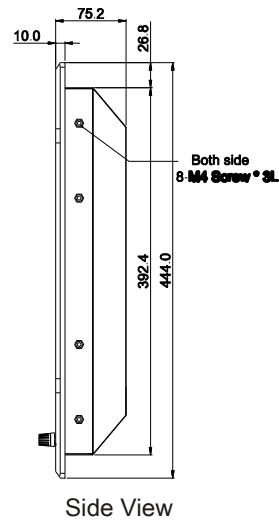
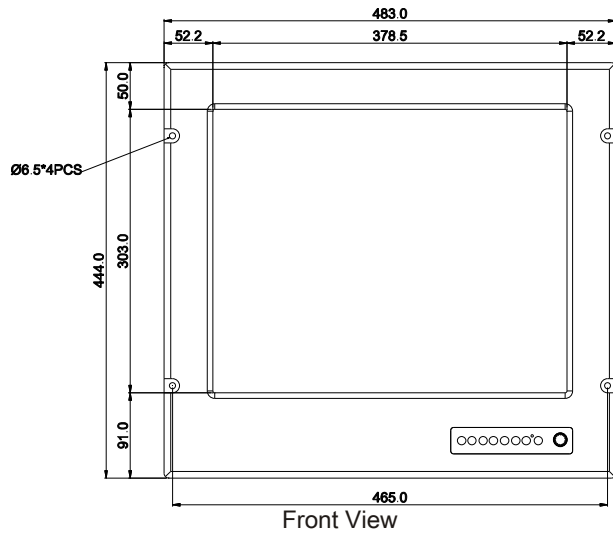


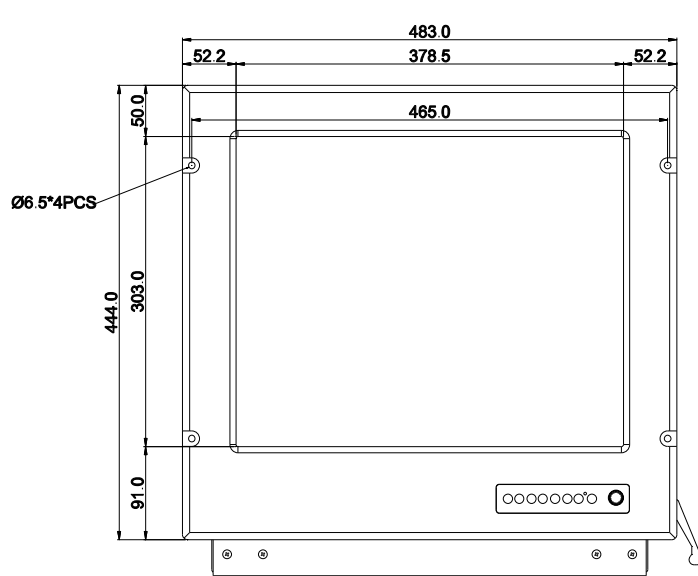
SeaBrite-19 Monitor



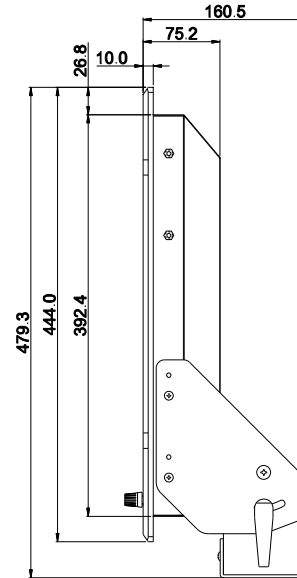
Measurements shown in mm
All Dimensions are ± 0.5 mm

NOTE: This is a simplified drawing and some components are not marked in detail. Please contact your Applications Engineer for additional product information.

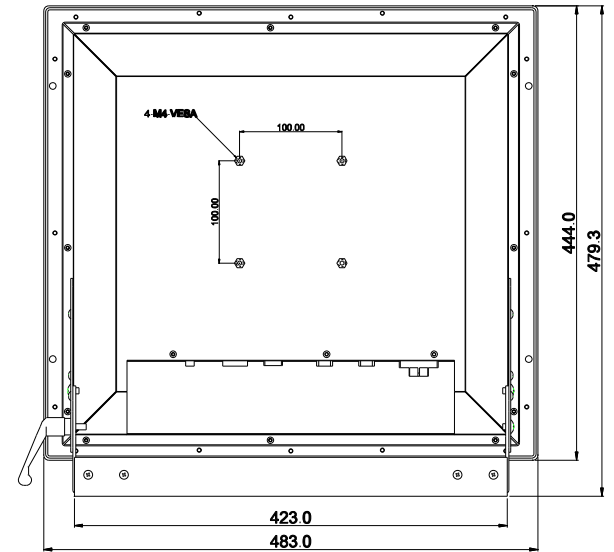
Mechanical Design with Robust Bracket (options)



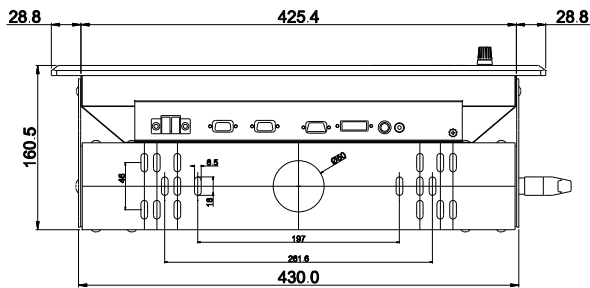
FRONT VIEW



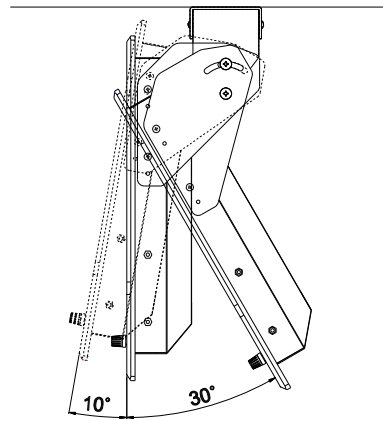
SIDE VIEW



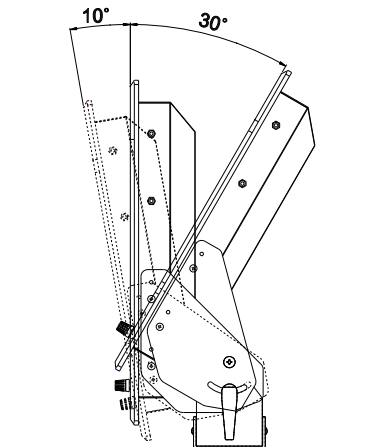
BACK VIEW



BOTTOM VIEW



ROOF MOUNT



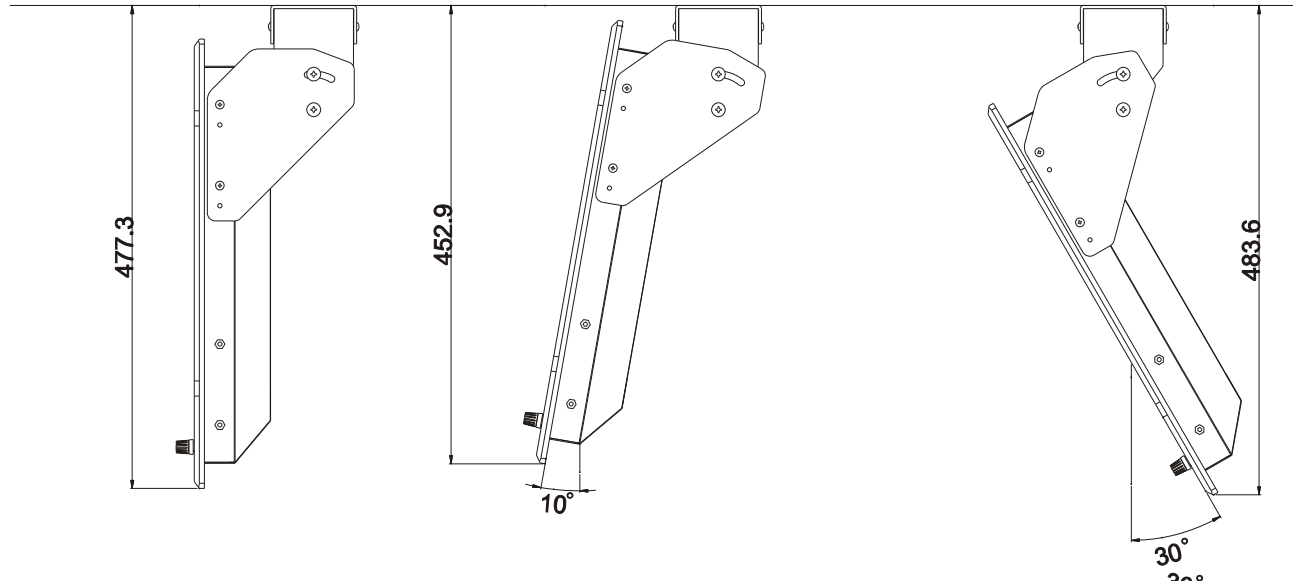
STAND ANGLE

Measurements shown in mm
All Dimensions are ± 0.5 mm

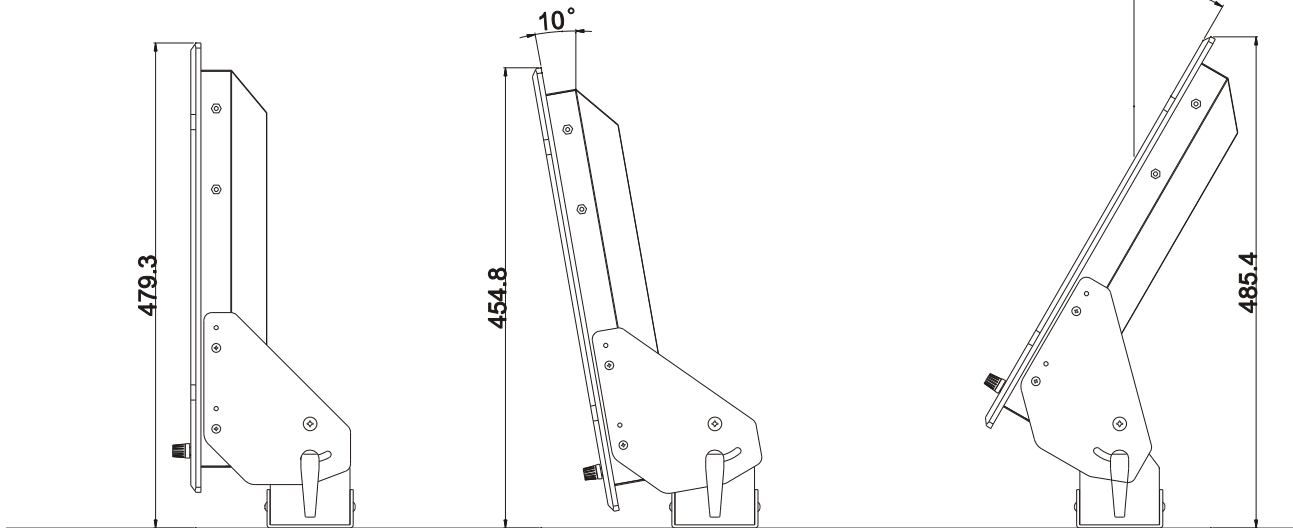
NOTE: This is a simplified drawing and some components are not marked in detail. Please contact your Applications Engineer for additional product information.

SeaBrite-19 Monitor

Roof Mount



Stand Angle



Measurements shown in mm
All Dimensions are ± 0.5 mm

NOTE: This is a simplified drawing and some components are not marked in detail. Please contact your Applications Engineer for additional product information.