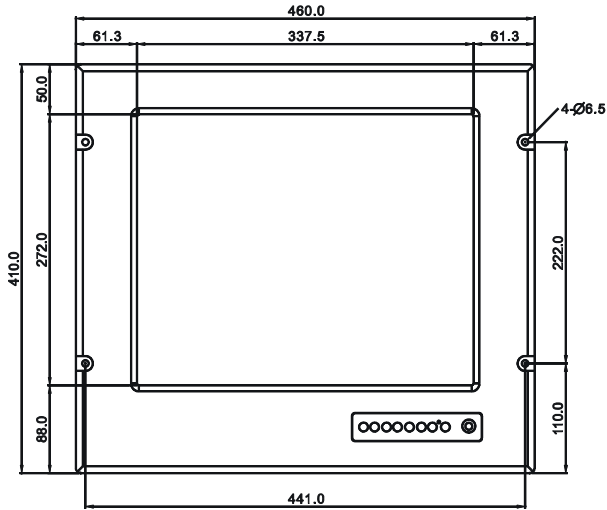
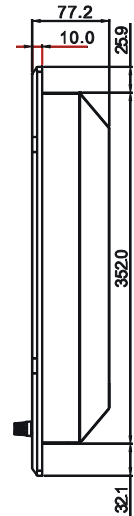


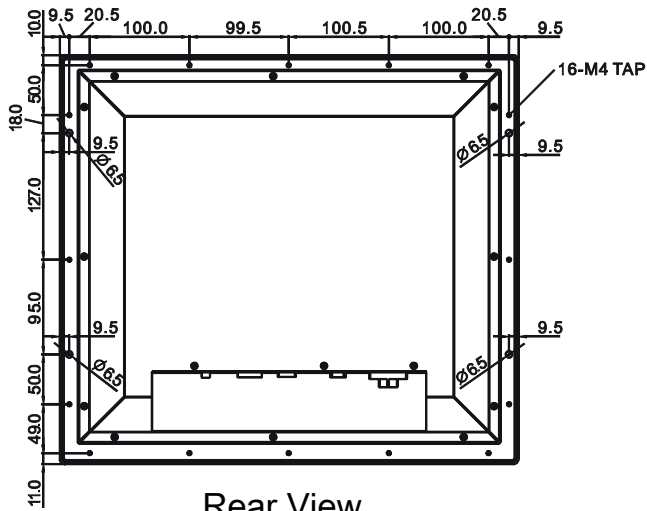
SeaBrite-17 Monitor



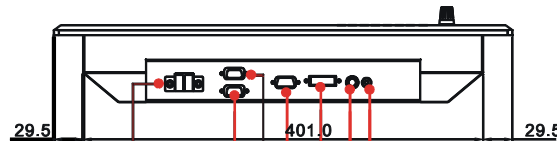
Front View



Side View

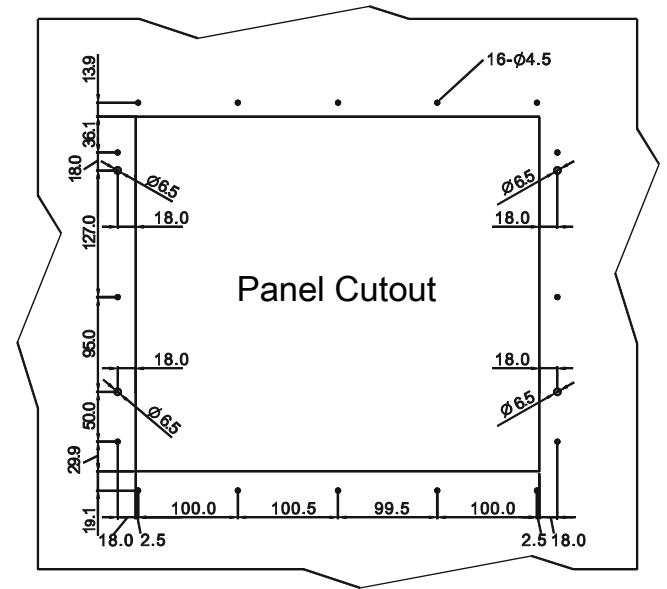


Rear View



Bottom View

- 8 to 36V DC Terminal Block
- RS-232 for Touch
- DVI
- Composite
- RS-232 for VGA Remote Control
- S-Video



Panel Cutout

Measurements shown in mm
All Dimensions are ± 0.5 mm

NOTE: This is a simplified drawing and some components are not marked in detail. Please contact your Applications Engineer for additional product information.

