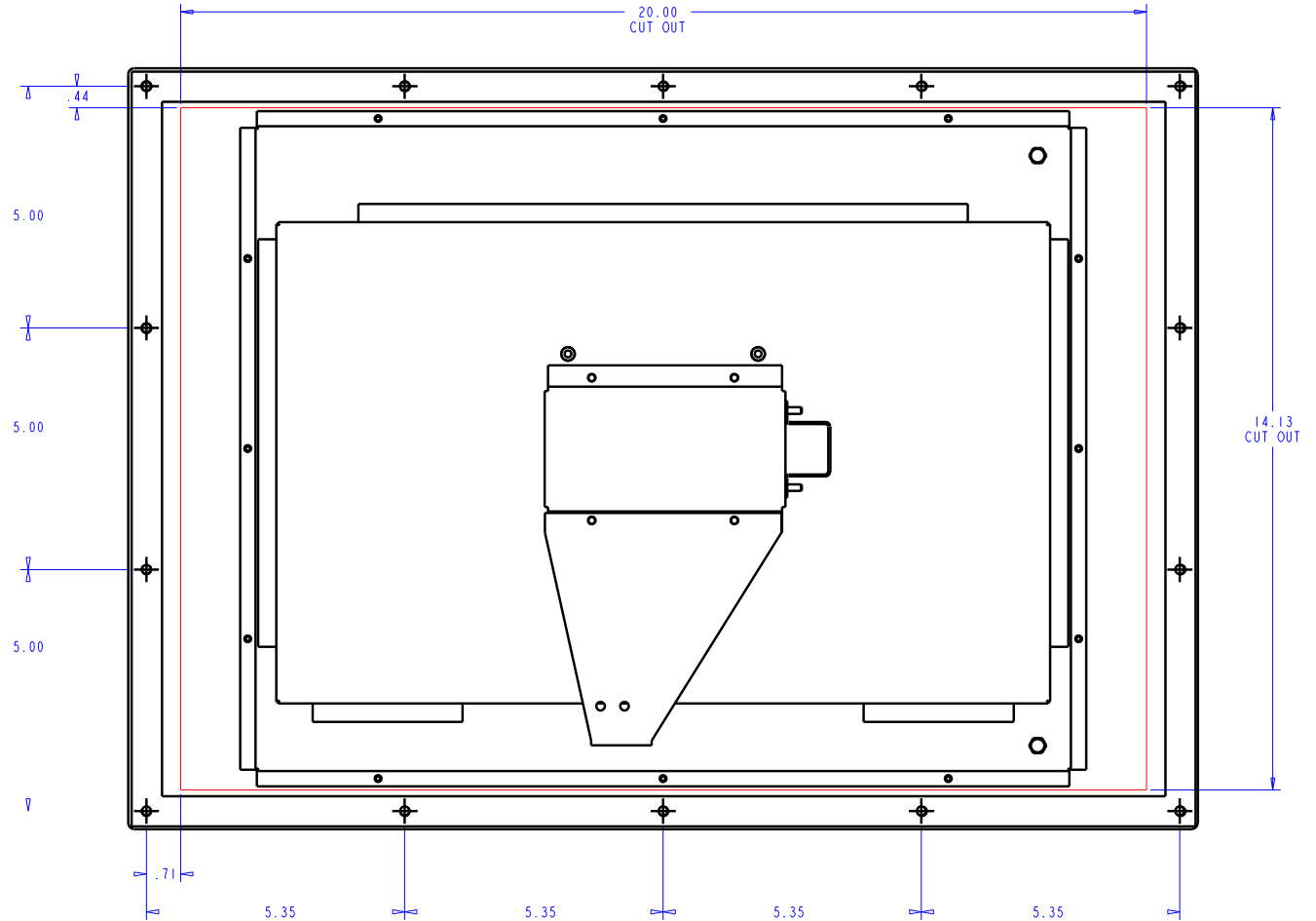
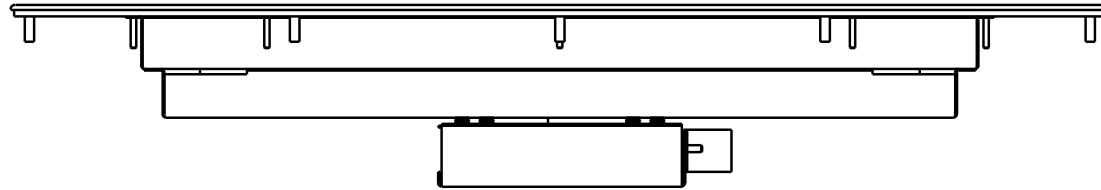
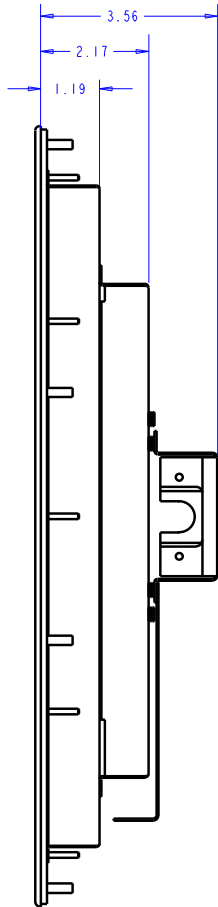


VAMP-WN17-R-TPM



All Dimensions are ± 0.02 in

NOTE: This is a simplified drawing and some components are not marked in detail. Please contact your Applications Engineer for additional product information.