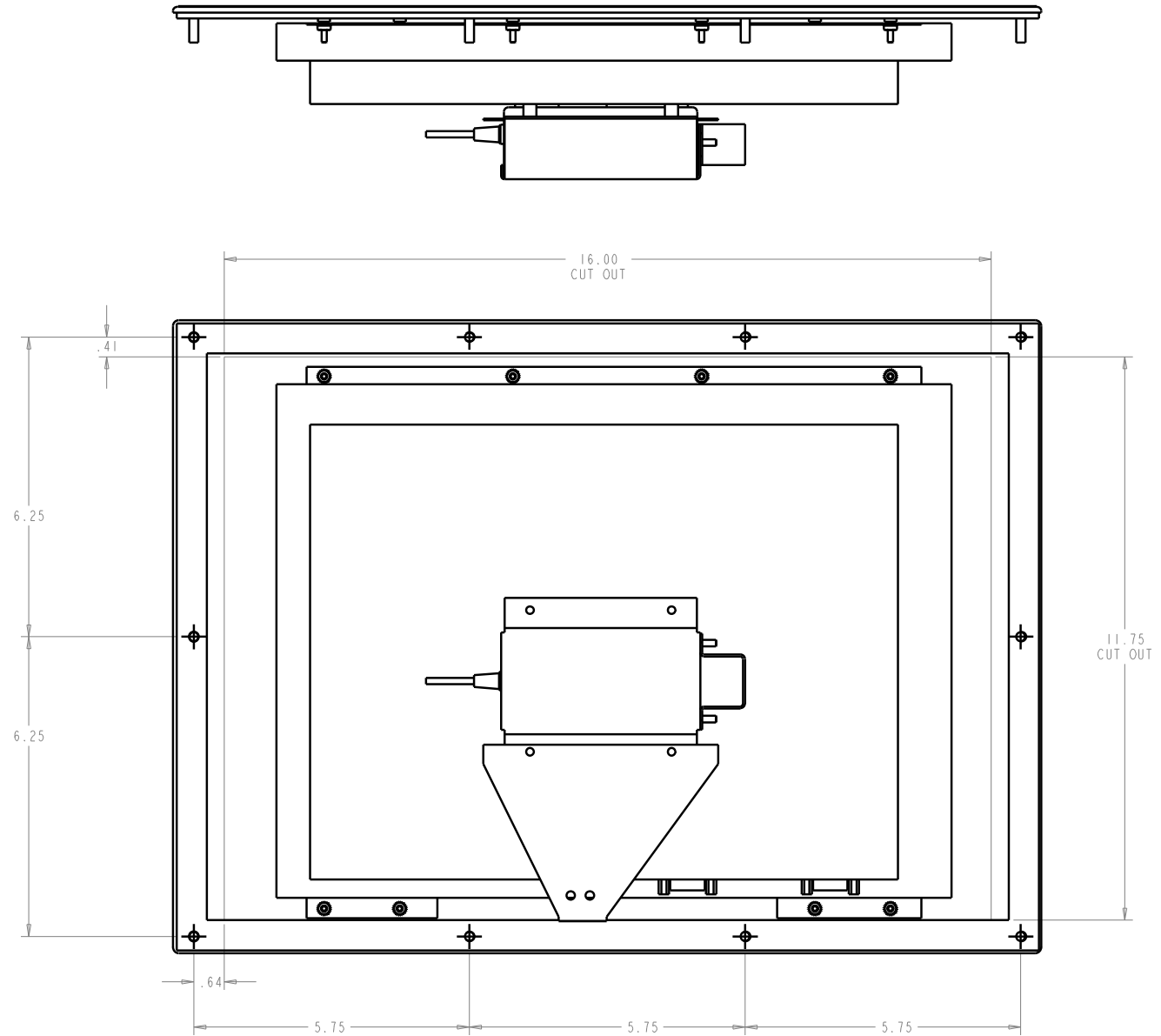
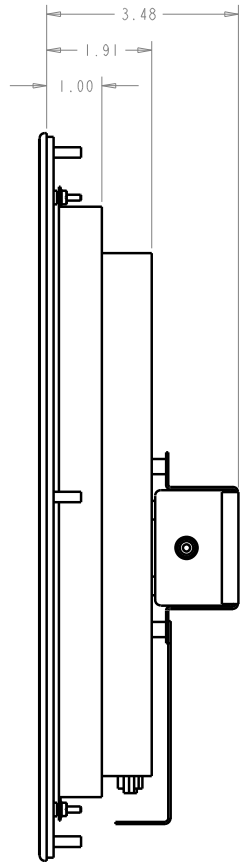


# VAMP-WN15-R-TPM



All Dimensions are  $\pm 0.02$  in

NOTE: This is a simplified drawing and some components are not marked in detail. Please contact your Applications Engineer for additional product information.