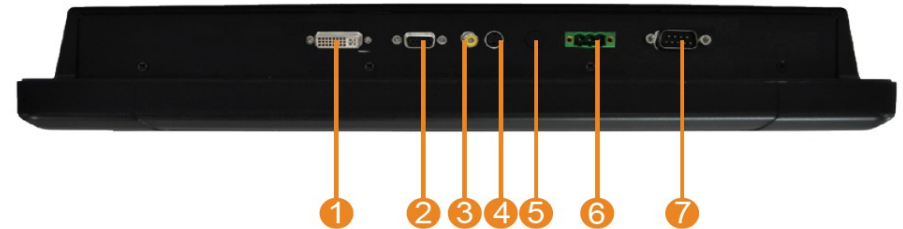
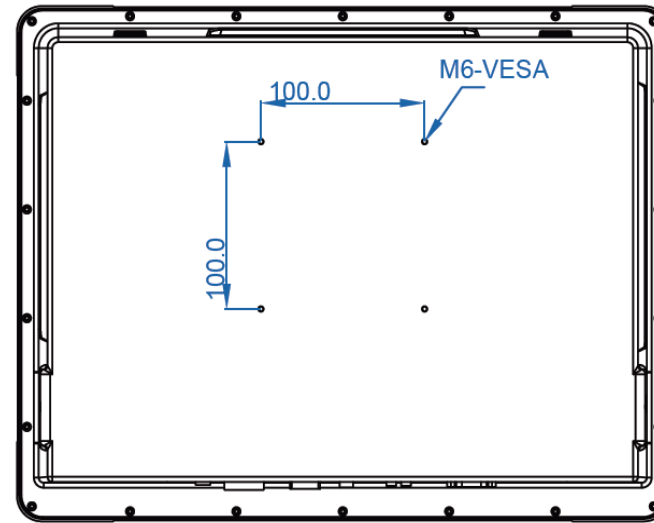
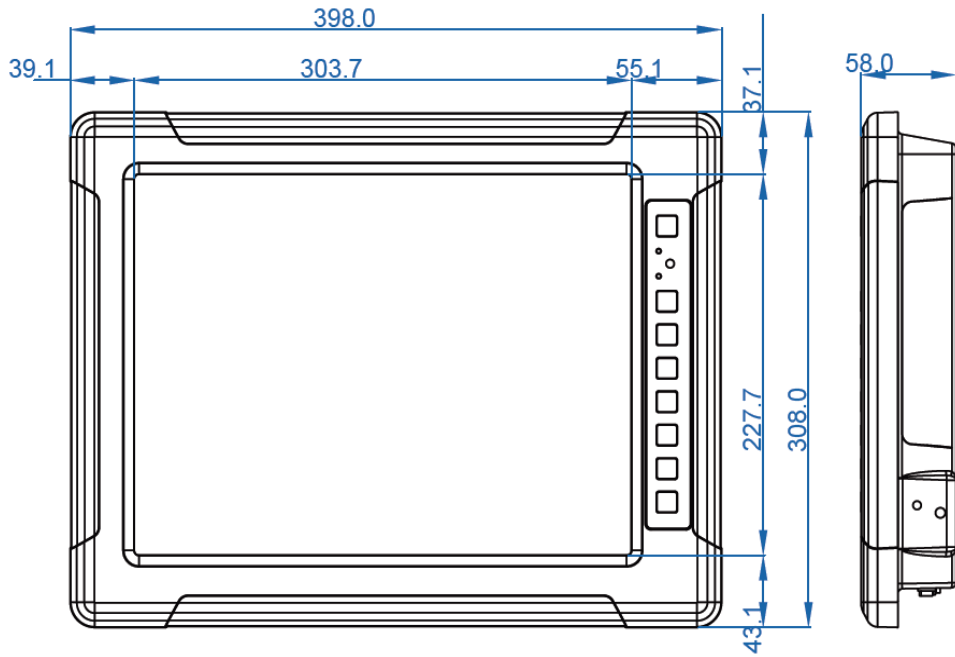


VAMP-RPP15



- | | |
|-------------------------|--------------------------------------|
| 1. DVI (Optional) | 5. DC Lockable (Optional) |
| 2. VGA | 6. 9~36V DC Terminal Block (Default) |
| 3. Composite (Optional) | 7. RS-232 for Touch (Optional) |
| 4. S-Video (Optional) | |

Measurements shown in mm
All Dimensions are ± 0.5 mm

NOTE: This is a simplified drawing and some components are not marked in detail. Please contact your Applications Engineer for additional product information.