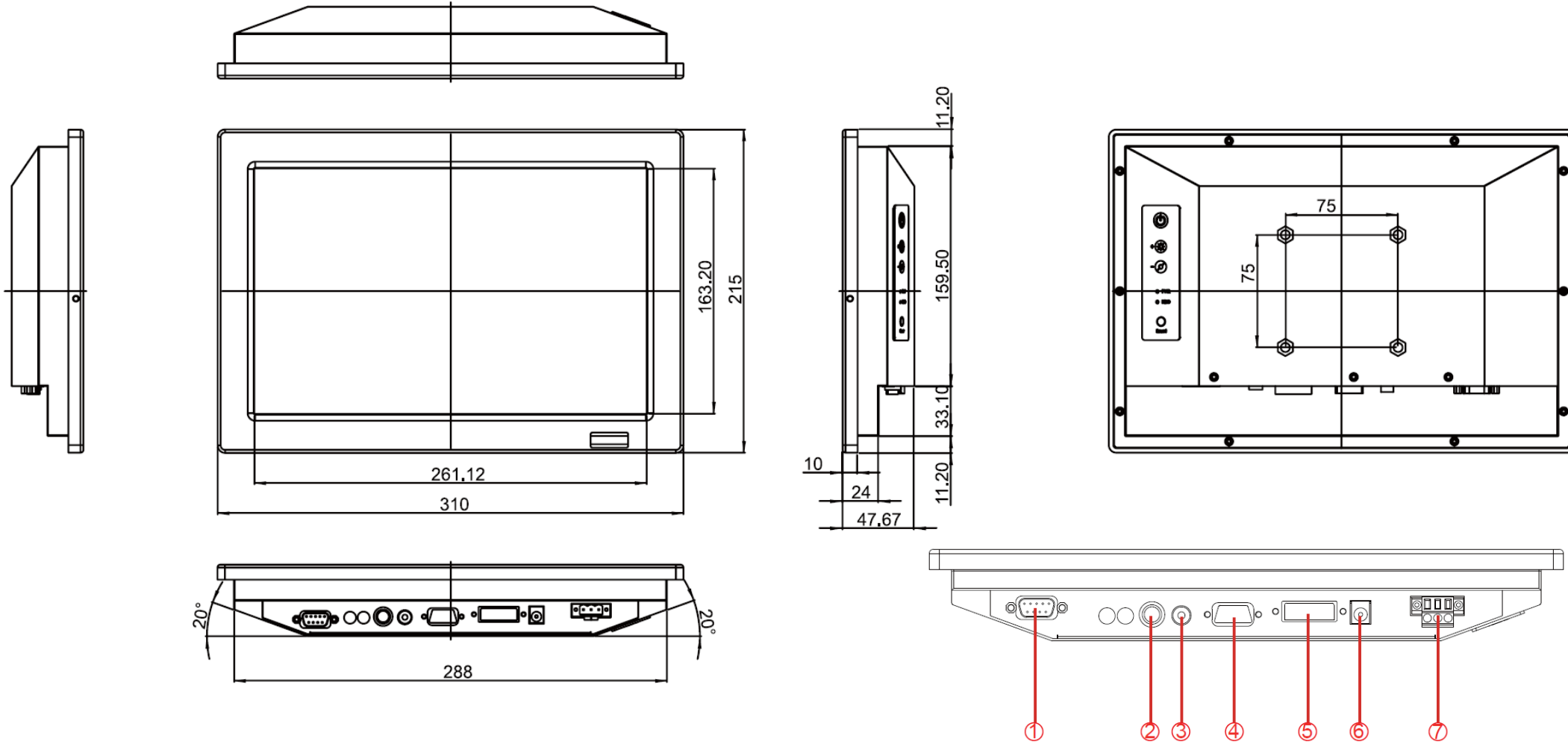


VAMP-RPP12



1. RS-232 for Touch(Optional)
2. S-Video(Optional)
3. Composite(Optional)
4. VGA
5. DVI-D(Optional)
6. DC Lockable input(Optional)
7. 9~36V DC Terminal Block(Default)

Measurements shown in mm
All Dimensions are ± 0.5 mm

NOTE: This is a simplified drawing and some components are not marked in detail. Please contact your Applications Engineer for additional product information.

