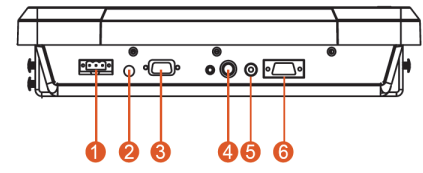
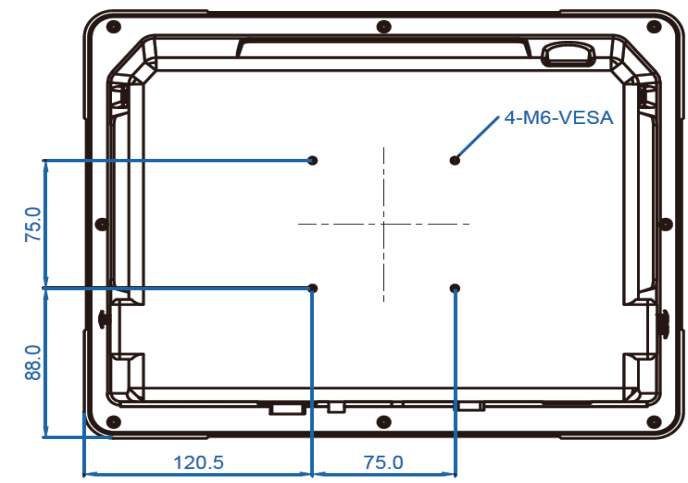
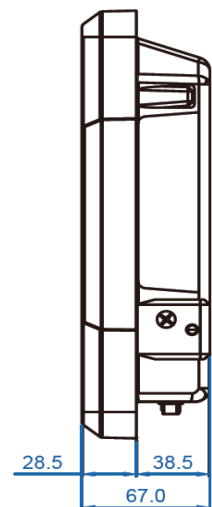
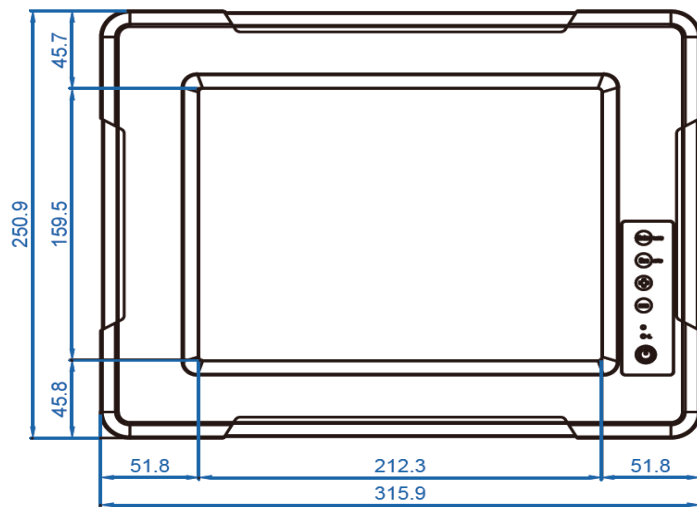
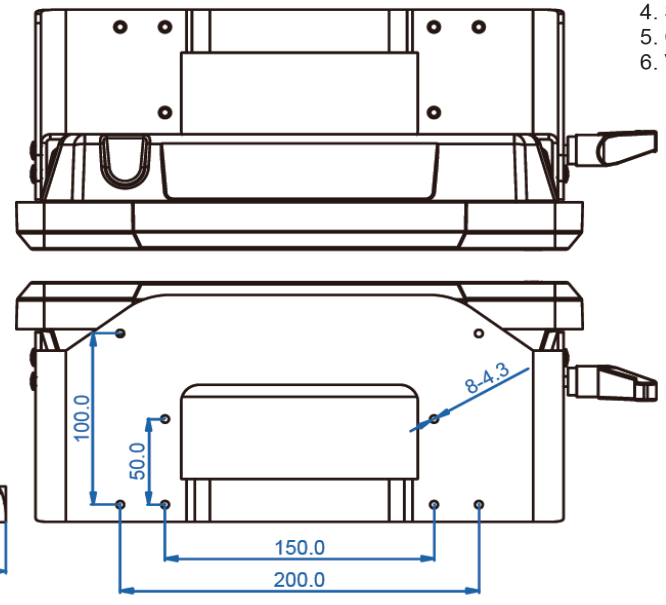
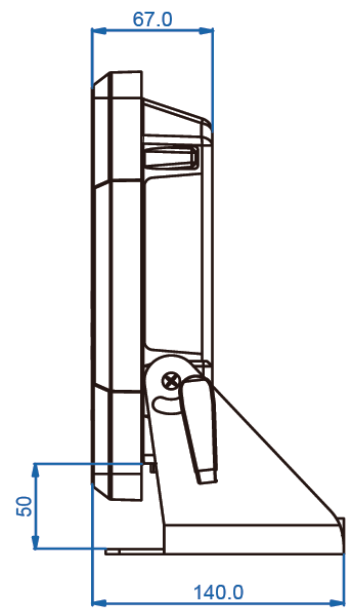
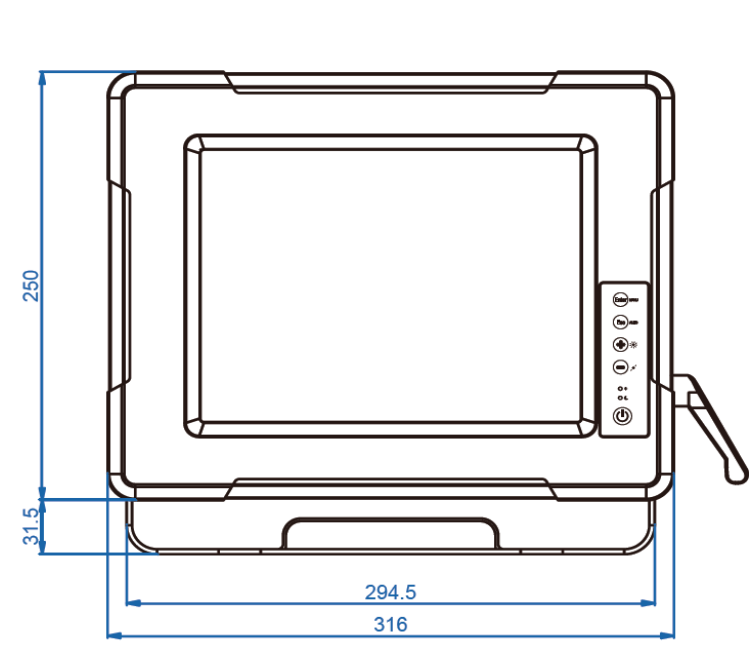


VAMP-RPP10



BOTTOM VIEW

1. 9~36V DC Terminal Block (Default)
2. DC Lockable Input (Optional)
3. RS-232 for Touch (Optional)
4. S-Video (Optional)
5. Composite (Optional)
6. VGA



Measurements shown in mm
All Dimensions are ± 0.5 mm

NOTE: This is a simplified drawing and some components are not marked in detail. Please contact your Applications Engineer for additional product information.

