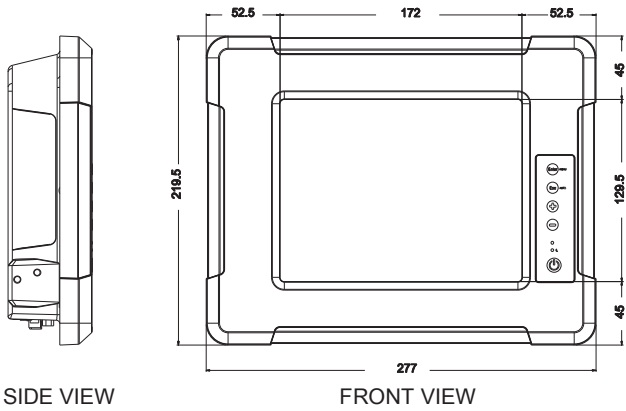
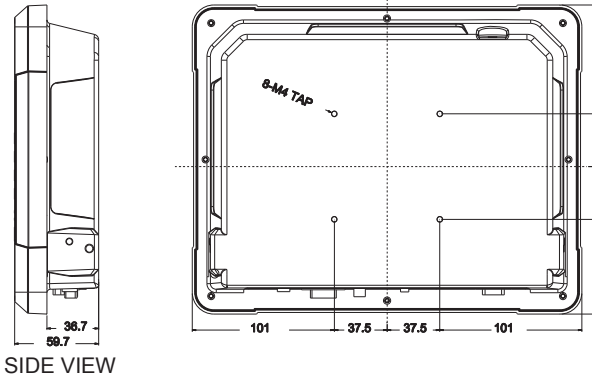


# VAMP-RPP8



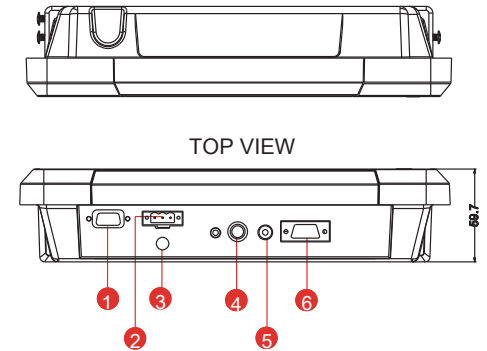
SIDE VIEW

FRONT VIEW



SIDE VIEW

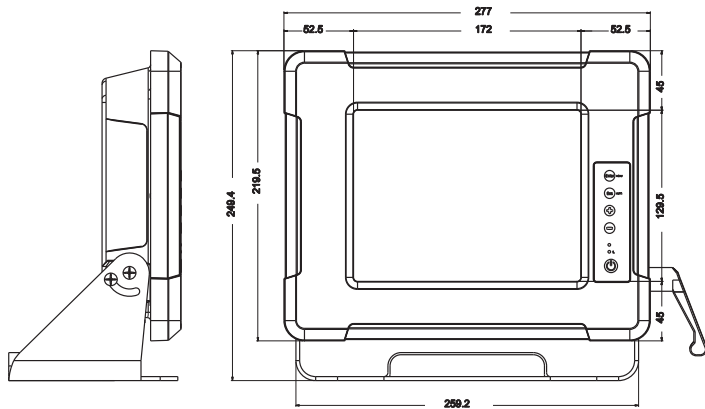
REAR VIEW



TOP VIEW

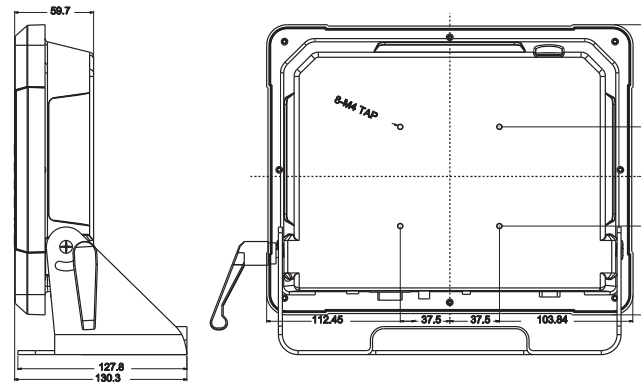
1. RS232 for Touch (Optional for touch)
2. 9-36V DC Terminal Block (Default)
3. DC Lockable Input (Optional)
4. S-Video (Optional)
5. Composite (Optional)
6. VGA

## With Mounting Bracket



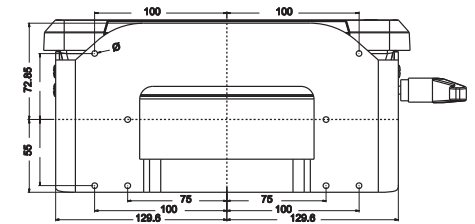
SIDE VIEW

FRONT VIEW



SIDE VIEW

REAR VIEW



Measurements shown in mm  
All Dimensions are  $\pm 0.5$  mm

NOTE: This is a simplified drawing and some components are not marked in detail. Please contact your Applications Engineer for additional product information.

**Computer  
DYNAMICS**