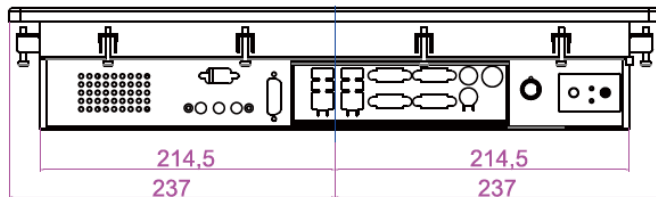
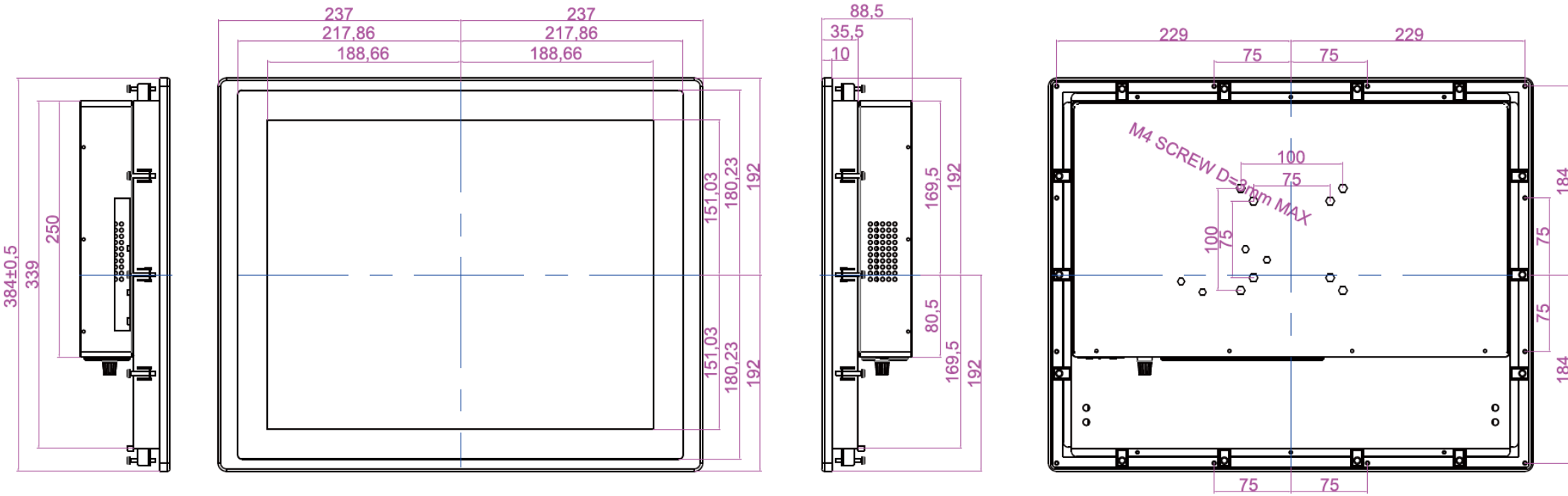


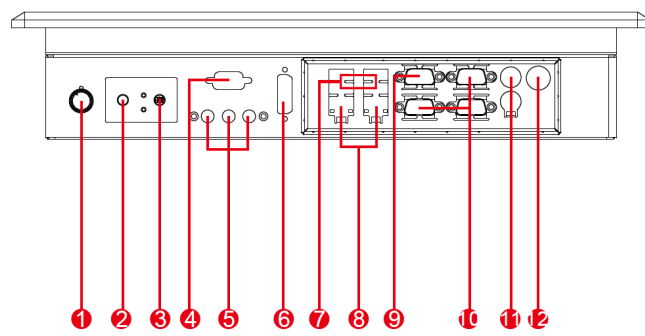
# DisplayPac-WN19-D2550-PCAP



CUT OUT DIMENSION : 432\*343 mm

Measurements shown in mm  
All Dimensions are ±0.5 mm

NOTE: This is a simplified drawing and some component are not marked in detail. Please contact your Application Engineer for additional product information.



1. Brightness Adjustment Knob
2. Power On Button
3. Power Reset Button
4. RS-232 Conn.(Optional)
5. Audio Jack
6. DVI (Optional)
7. USB
8. LAN
9. VGA Out
10. RS-232 Conn.
11. PS/2
12. DC-IN Power Jack

