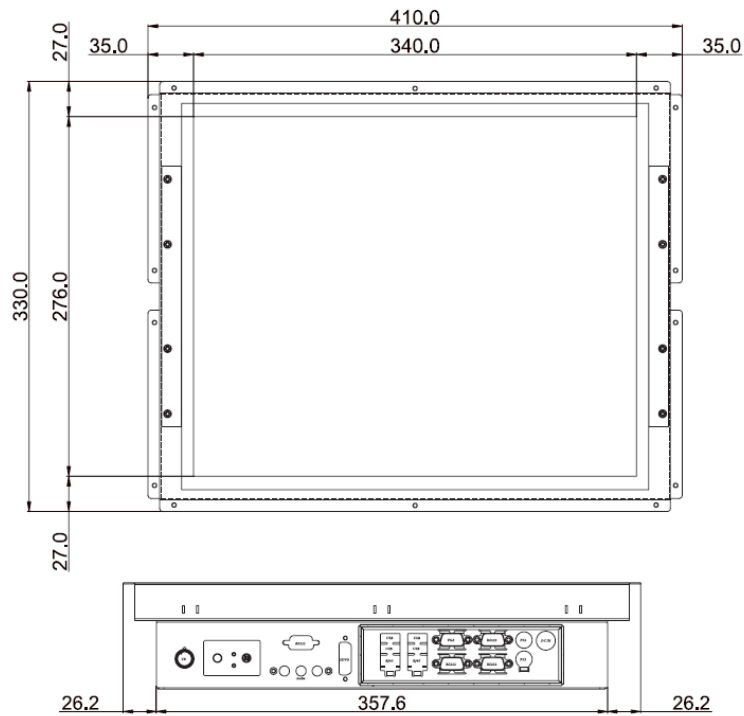
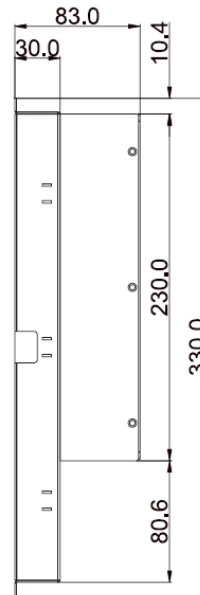


DisplayPac-WN17-D2550

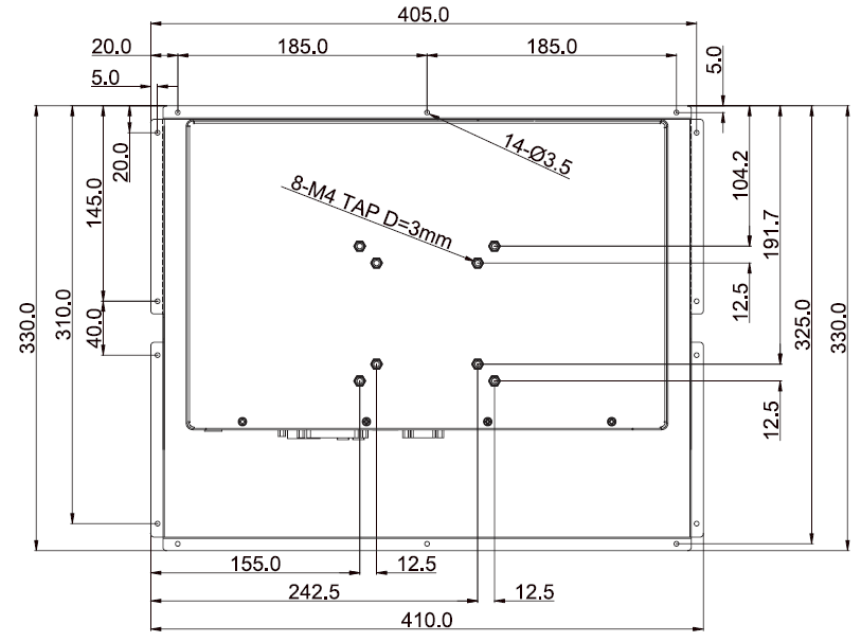
FRONT VIEW



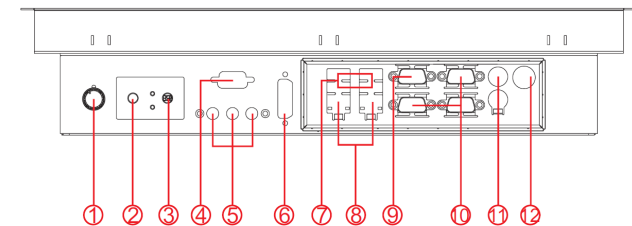
SIDE VIEW



BACK VIEW



BOTTOM VIEW



Measurements shown in mm
All Dimensions are ± 0.5 mm

- | | |
|-------------------------------|------------------|
| 1. Brightness Adjustment Knob | 7. USB |
| 2. Power On Button | 8. LAN |
| 3. Power Reset Button | 9. VGA |
| 4. RS-232 Conn. (Optional) | 10. RS-232 Conn. |
| 5. Audio Jack | 11. PS/2 |
| 6. DVI (Optional) | 12. DC-in Power |

Computer DYNAMICS

NOTE: This is a simplified drawing and some components are not marked in detail. Please contact your Applications Engineer for additional product information.