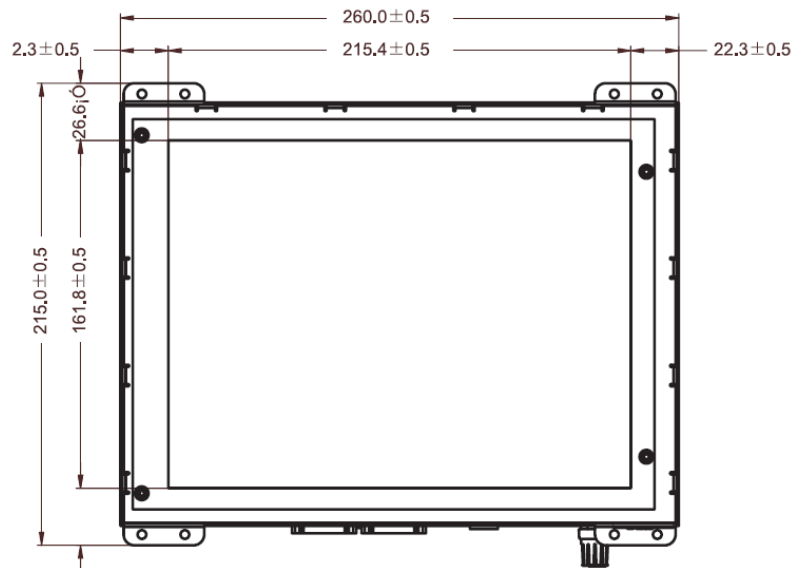
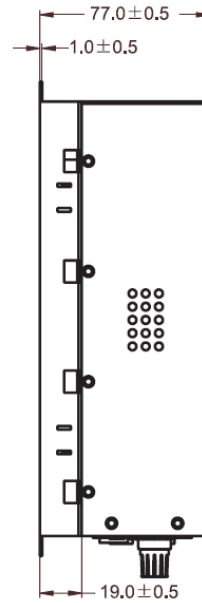


DisplayPac-WN10-D2550

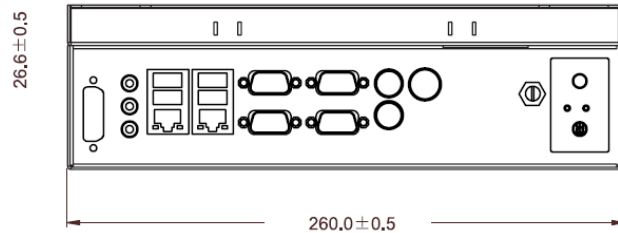
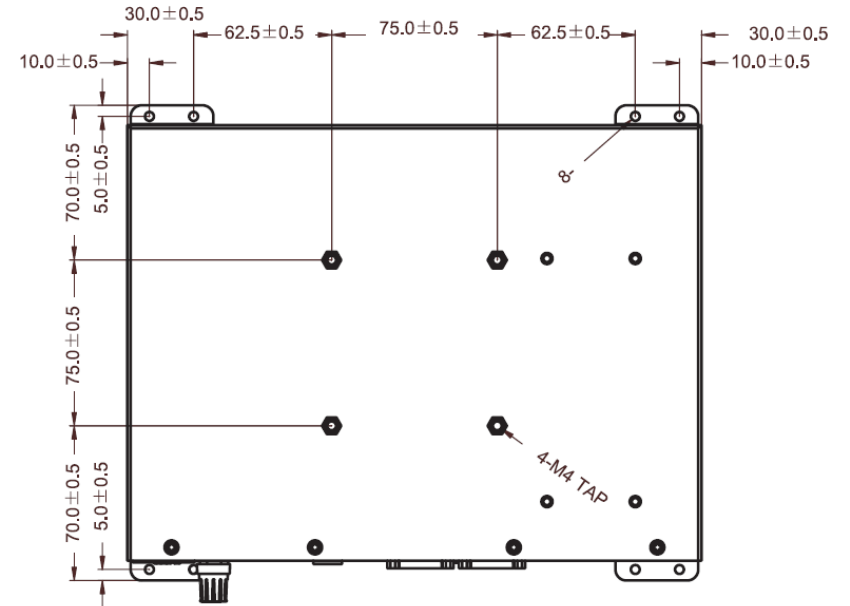
FRONT VIEW



SIDE VIEW

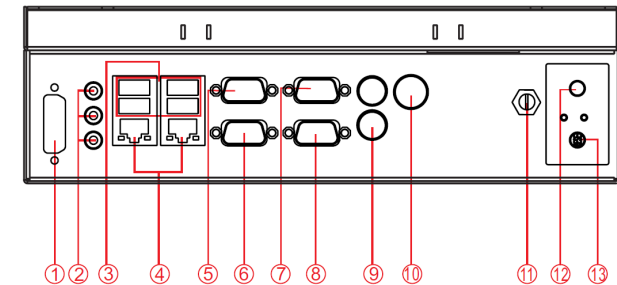


BACK VIEW

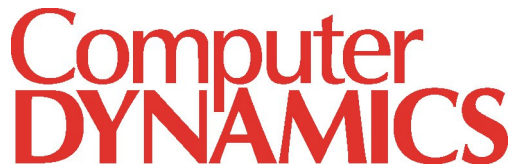


BOTTOM VIEW

Measurements shown in mm
All Dimensions are ± 0.5 mm



- | | | |
|------------------|-------------------------------|-----------------------|
| 1.DVI (Optional) | 7.RS-232 Conn. | 13.Power Reset Button |
| 2.Audio jack | 8.RS-232 Conn. | |
| 3.USB | 9.PS/2 | |
| 4.RJ-45. | 10.DC-IN Power Jack | |
| 5.VGA Out | 11.Brightness Adjustment Knob | |
| 6.RS-232 Conn. | 12.Power On Button | |



NOTE: This is a simplified drawing and some components are not marked in detail. Please contact your Applications Engineer for additional product information.