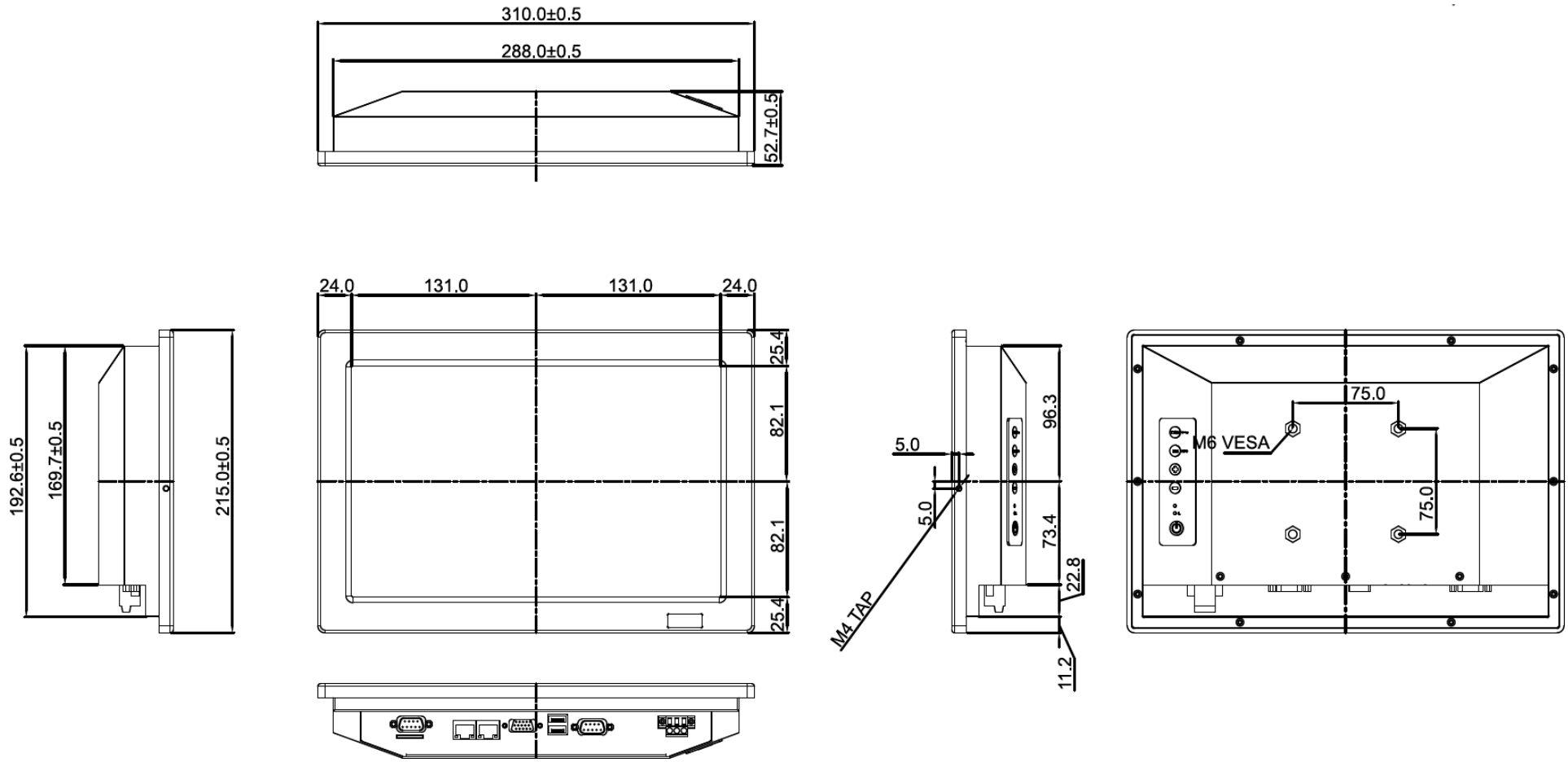


DisplayPac-RPP12-D2550



Measurements shown in mm
All Dimensions are ±0.5 mm

NOTE: This is a simplified drawing and some components are not marked in detail. Please contact your Applications Engineer for additional product information.

