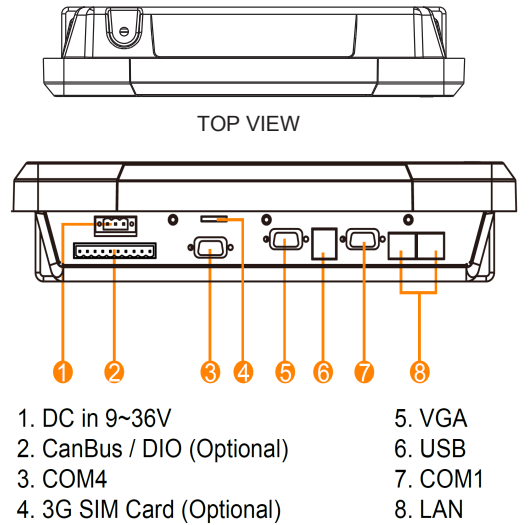
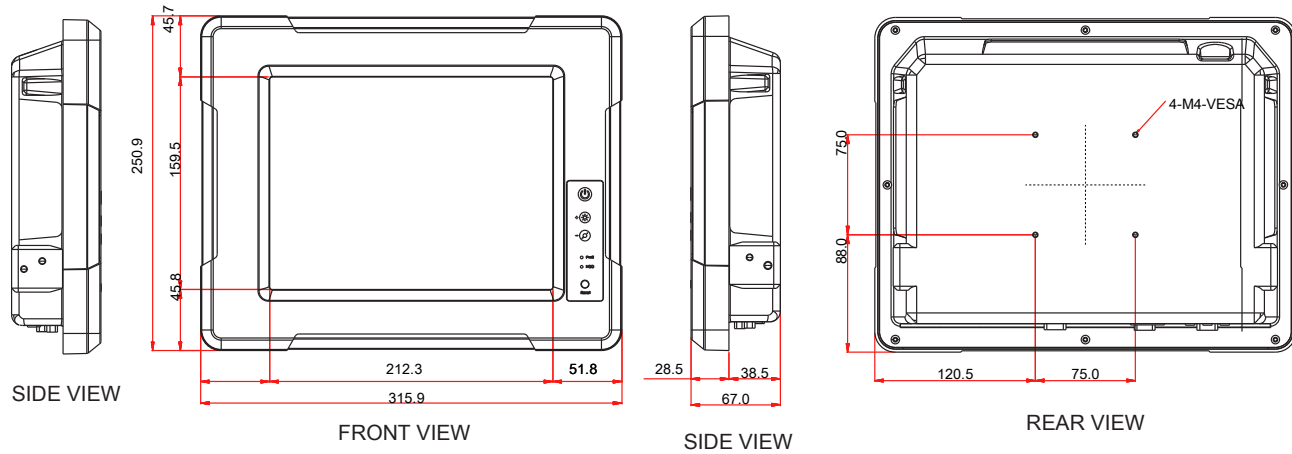
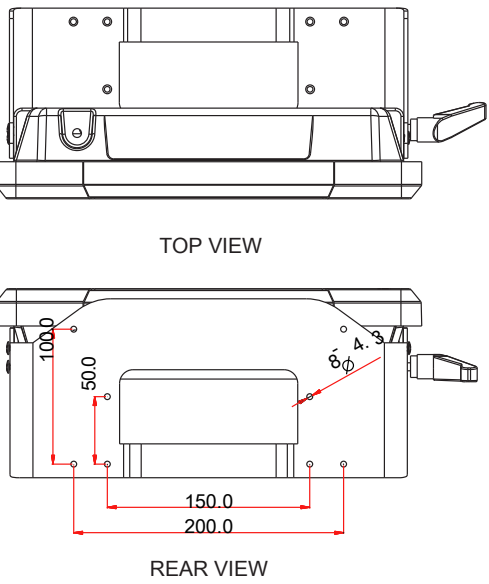
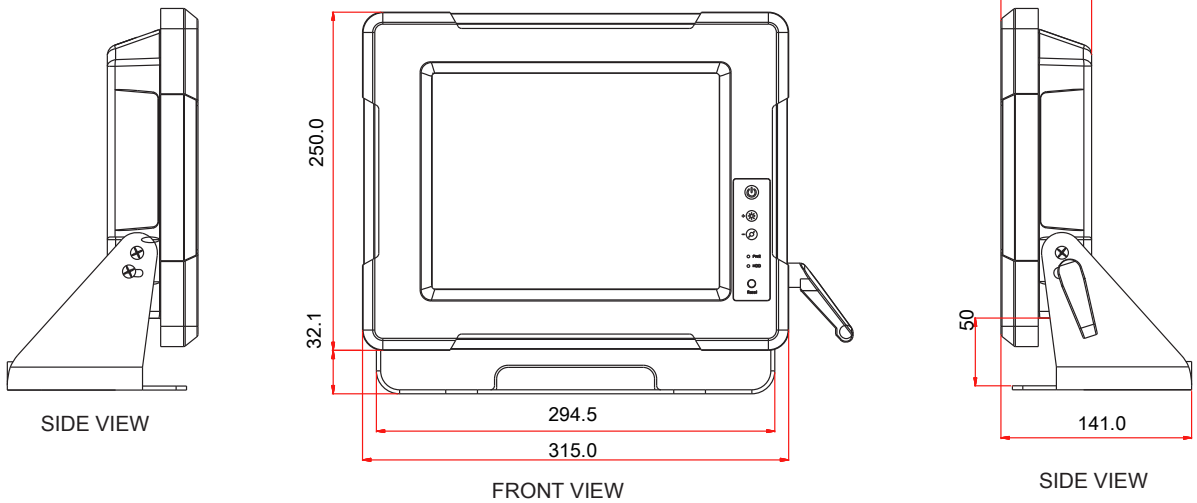


# DisplayPac-RPP10-D2550



## Drawing w / Mounting Bracket



Measurements shown in mm.

All Dimensions are  $\pm 0.5$  mm

NOTE: This is a simplified drawing and some components are not marked in detail. Please contact your Applications Engineer for additional product information.

©2012 Computer Dynamics, Inc. Computer Dynamics, Inc. is a division of CIMTEC Automation. All rights reserved. Specifications are subject to change without notice.