

ND3200E

Intel® Core™ 2 Duo / Celeron® M Box PC

Features

- Designed for Railway Applications
- Onboard Core 2 Duo SP9300 2.26 GHz or Intel Celeron® M723 1.2 GHz processors
- 1x DDR3-800/1066 2 GB DRAM
- 4x RS-232/422/485 communication with isolation protection
- Supports 6x Digital Input / 2x Digital Output
- 2x LAN, 4x USB, 1x VGA, 1x DVI-D, Mic in, Line out
- Fanless, high efficiency thermal design with sealed construction
- CE, EN50155, and EN50121 certifications

Processor

- Intel Core 2 Duo SP9300 2.26 GHz
- Intel Celeron M723 1.2 GHz

BIOS

- AMI

System Chipset

- Intel GM45 + ICH9M

Memory

- Onboard DDR3-800/1066 2 GB DRAM

Graphic Interface

- Integrated Intel GM45

Front Side

- HDD/CF access door

Back Side I/O

- 1x M12 power input (12-32VDC)
- 2x 4-pin M12 Ethernet (10/100)
- 4x USB 2.0
- 4x RS232/422/485, isolated
- 1x VGA, 1x DVI-D
- 1x Mic In, Line Out
- 1x DIO (6 in, 2 out)

Storage

- 1x 2.5" SATA HDD
- 1x Industrial grade CF (optionally available)

OS Support

- Windows XP, XP Embedded

Watchdog Timer

- 255 levels, 1~255 sec.

Power Input

- +24V (12~32V) DC-in (1.0A@24V)

Environmental

- -25° to 55° C operating temperature
- 10% to 90% non-condensing
- 5 to 500 Hz/2 Grms/3 axis
- -40° to 80° C storage temperature

Dimensions (L x W x H)

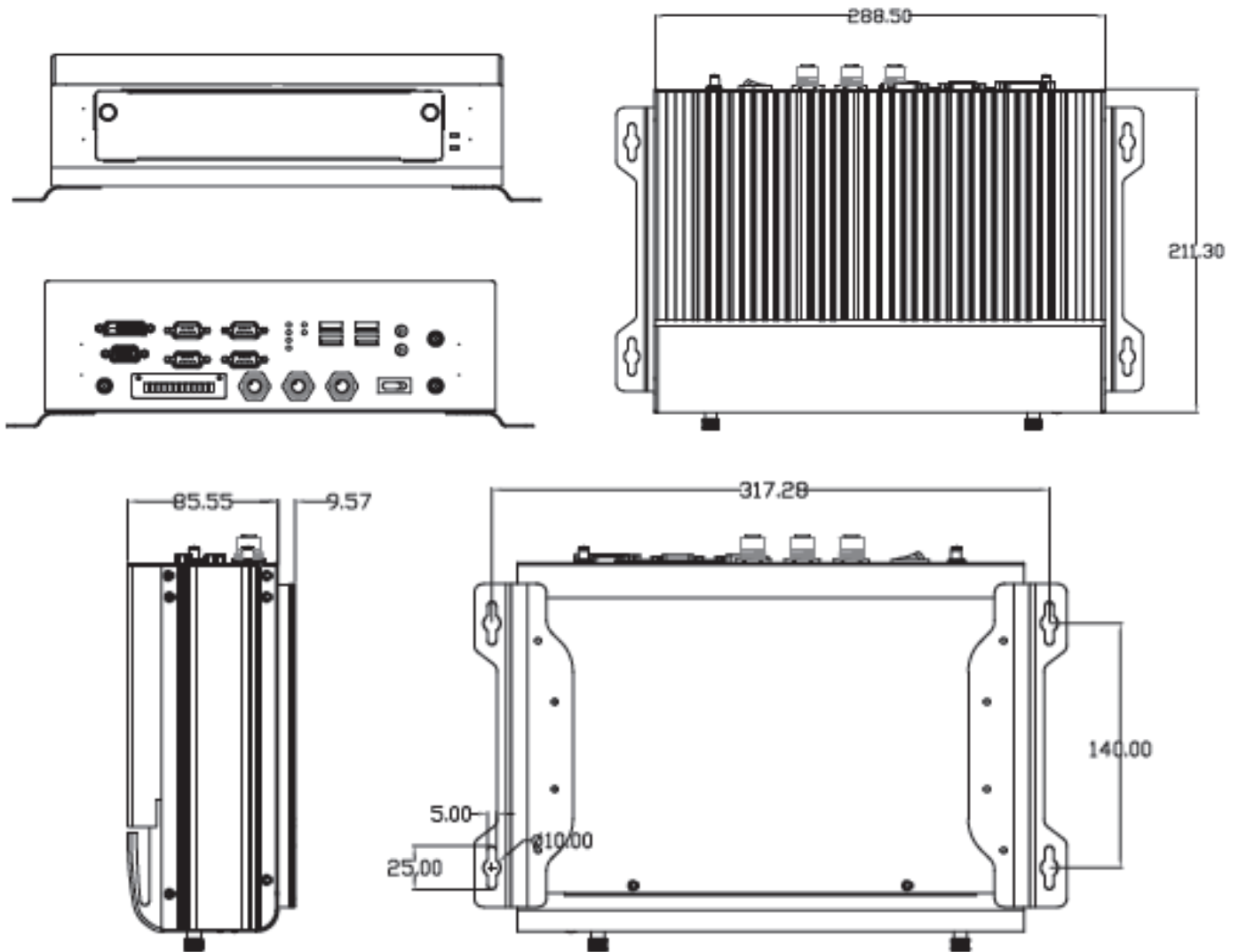
- 11.33" x 8.3" x 3.37"
- 288mm x 211mm x 85.7mm

Weight

- 14.33 lbs (6.5 kg)

Computer DYNAMICS

ND3200E Intel Core 2 Duo / Celeron Box PC for Rail Applications



About Computer Dynamics

Computer Dynamics (A CIMTEC Automation Company) is a leading global provider of flat panel display solutions for a wide range of industries and applications. Our comprehensive product offering includes open-frame, enclosed, and environmentally sealed flat panel display systems in both computer and monitor configurations. Whether you're looking for one of our standard products or a fully custom solution, Computer Dynamics has the breadth, experience and support to deliver what you need. For more than 25 years, CIMTEC Automation has been providing automation solutions throughout the world that deliver value, performance, and innovation.

Computer Dynamics Contact Information

Americas: 1 864 627 8800

Additional contact information available on our web site at www.cdynamics.com/contact.asp

www.cdynamics.com